

MOBILE HINGED SUPPORT RAILS

NECESSARY


OPTIONAL
SEPARATELY



900.50.400..* | Mono

- stainless steel, optionally satin finish, chrome-plated, powder-coated in 3 colours or PVD-coated
- projection: 600 mm


+



900.50.001XA

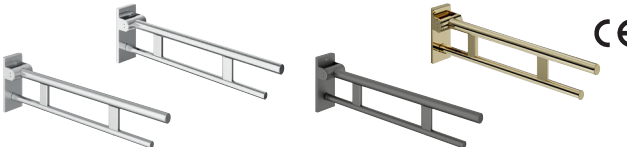
- mounting plate made of stainless steel, satin finish

OPTIONAL



900.50.002XA

- cover for covering fixed mounting plates
- face plate made of stainless steel, satin finish
- cover frame made of polyamide in HEWI colours 98 (signal white) or 92 (anthracite grey)



900.50.40..* | Duo

- stainless steel, optionally satin finish, chrome-plated, powder-coated in 3 colours or PVD-coated
- projection: 600, 700, 750, 850, 900 mm

+



900.50.00140

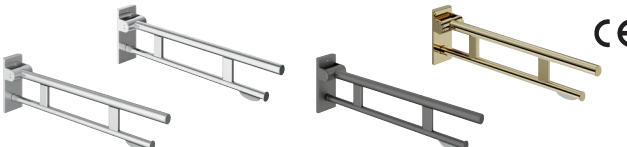
- mounting plate made of stainless steel, chrome-plated

OPTIONAL



900.50.00240


- cover for covering fixed mounting plates
- face plate made of stainless steel, mirror polished
- cover frame made of polyamide in HEWI colours 98 (signal white) or 92 (anthracite grey)



900.50.40..* | with toilet roll holder

- stainless steel, optionally satin finish, chrome-plated, powder-coated in 3 colours or PVD-coated
- projection: 700, 750, 850, 900 mm

+



900.50.00160

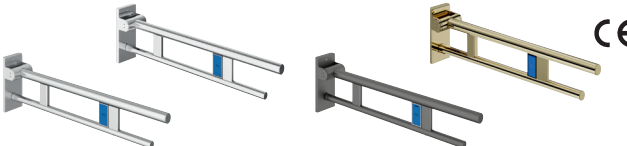
- mounting plate made of stainless steel, powder-coated in 3 colours: DX (matt white), SC (matt dark grey pearl mica) or DC (matt black)

OPTIONAL



900.50.00260

- cover for covering fixed mounting plates
- face plate made of stainless steel, powder-coated in AS (matt white) or CV (matt black)
- cover frame in matching matt white or matt black



900.50.4..* | with toilet flushing solution (radio)

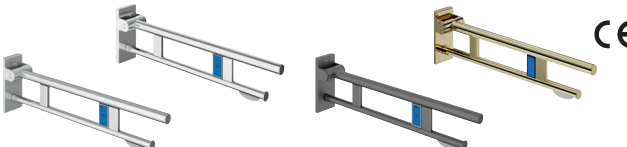
- stainless steel, optionally satin finish, chrome-plated, powder-coated in 3 colours or PVD-coated
- projection: 700, 750, 850, 900 mm
- left and right version

+



900.50.00170*

- mounting plate made of stainless steel, PVD-coated in CK (brass glossy), LP (brass brushed), WR (nickel brushed), SV (bronze brushed)*






900.50.41..* | with toilet roll holder and toilet flushing solution (radio)

- stainless steel, optionally satin finish, chrome-plated, powder-coated in 3 colours or PVD-coated
- projection: 700, 750, 850, 900 mm
- left and right version

+





HEWI Powder coating | Material combinations with synthetic material

-  ...60 AS matt white | white synthetic material
-  ...60 ER matt dark grey pearl mica | black synthetic material
-  ...60 CV matt black | black synthetic material

HEWI Powder coating

-  ...60 DX matt white
-  ...60 SC matt dark grey pearl mica
-  ...60 DC matt black

HEWI PVD-coating | delivery time 4 weeks


-  ...70 CK brass glossy
-  ...70 LP brass brushed
-  ...70 WR nickel brushed
-  ...70 SV bronze brushed

OR SET

NECESSARY FOR ALL


OPTIONAL FOR ALL

OR



900.50.003XA
· set of mounting plate 900.50.001XA and cover 900.50.002XA

OR




900.50.00340
· set of mounting plate 900.50.00140 and cover 900.50.00240

OR



900.50.00360
· set of mounting plate 900.50.00160 and cover 900.50.00260

OR



900.50.00370*
· set of mounting plate 900.50.00170 with white cover

900.50.00570*
· with black cover

+

+

+

BM17.2

For fixing on walls made of concrete (> C20/C25)
National technical approval number: ETA-11/0493

additionally:

injection mortar (HEWI item No.: 200311)

or to be provided on site:

injection mortar HIT-HY200A (Hilti)

extrusion tool HDM (Hilti)

BM10.2

For fixing on walls made of concrete (> C20/C25)

BM11.2

For fixing on walls made of autoclaved aerated concrete (> P2)

additionally:

injection mortar (HEWI item No.: 200266)

conical drill bit (HEWI item No.: 171041)

or to be provided on site:

injection mortar HIT-HY 270 (Hilti)

extrusion tool HDM (Hilti)

conical drill bit TE-C PB 22/100 (Hilti)

BM12.2

For fixing on lightweight walls with rear lining made of laminated timber boards (with waterproof bonding, at least 30 mm thick required, e.g. studs or prewall installation)

BM13.2

For fixing on lightweight walls with integrated steel plates (e.g. studs or pre wall installation)

BM18.2

For fixing on walls made of:

- solid bricks
- perforated calcium silicate block
- hollow concrete block
- vertically perforated bricks
- hollow lightweight concrete block
- lightweight aggregate concrete with open structure

National technical approval number: ETA-13/1036

additionally:

injection mortar (HEWI item No.: 200266)

or to be provided on site:

injection mortar HIT-HY 270 (Hilti)

extrusion tool HDM (Hilti)

OPTIONAL

OPTIONAL

OPTIONAL



Protection and storage bag

950.50.013

- made of high-quality, tearresistant white synthetic material sheeting
- high-quality fleece lining on the inside to protect the mobile hinged support surfaces

* HEWI PVD-coating | delivery time 12 weeks

- ...70 UN bronze glossy
- ...70 DP copper glossy
- ...70 RB copper brushed

- ...70 BZ gold glossy
- ...70 VT gold brushed
- ...70 JL nickel glossy