

Ⓢ Installation instructions



Reinigung und Pflege | Care and cleaning | Nettoyage et entretien
Reiniging en onderhoud | Manutenzione e pulizia | Cuidado y limpieza
Czyszczenie i pielęgnacja | Rengøring og pleje

Contents

User information	3
Warning notices	4
Product information	5
Mounting	11
Removal	11

HEWI support

+1 646 405 10 32

Intended purpose

The HEWI rail system is designed for use in bathrooms. It provides a gripping option for persons with or without physical disability when they shower or take a bath.

Exclusion of liability

HEWI accepts no liability whatsoever for damage to persons or property that occurs or has occurred as a result of improper mounting or maintenance, particularly if the safety instructions and other points to note listed are not or have not been observed in full. HEWI accepts no liability whatsoever for damage occurring from incorrect cleaning.

Disposal

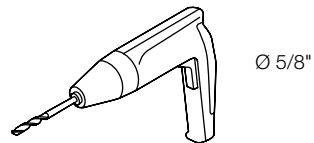
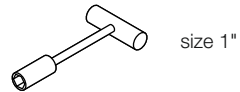
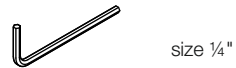
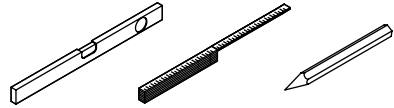
Disposal of the product and packaging is subject to the relevant national regulations.

Safety instructions

These instructions are intended for qualified skilled personnel and the user of the installed product. Following installation, the instructions must be made available to the user.

- Follow with the installation instructions and instructions for use.
- In case of questions, problems, uncertainties or if damage occurs, contact the HEWI support service.
- Ensure that the product is installed, maintained and repaired by qualified, skilled personnel only.
- Check the product for damage on acceptance. Report defects immediately.
- Install/use the product only:
 - in accordance with its intended purpose
 - in its original condition without modifications
 - in perfect condition
- Use original spare parts only.
- Only use the HEWI fixing materials included.
- Only use in closed rooms.

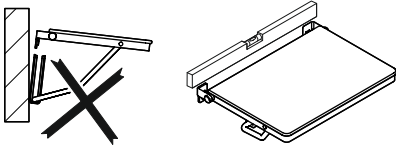
Tools required



Warning notices

CAUTION!

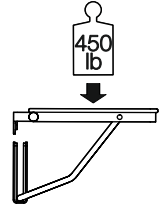
Improperly mounted lift-up seats (loose or at an angle) may lead to injuries due to slipping or falling. Make sure lift-up seats are installed securely and in a horizontal position.



CAUTION!

Observe maximum load. Exceeding the maximum load of the lift-up seat may lead to injuries due to falling.

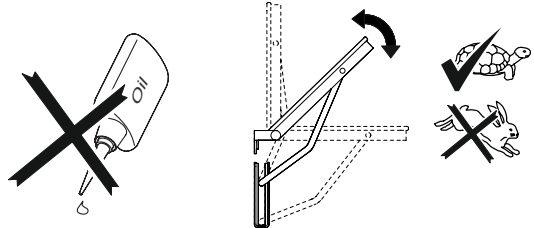
Ensure that the wall structure and fixings are able to permanently bear the expected load.



CAUTION!

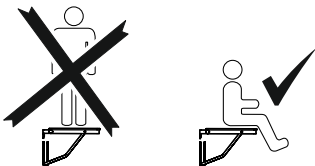
Failing or improperly set brakes may cause injuries.

Have the brakes checked and readjusted as required; at least once a month. Do not use any kind of lubricant on the joints or brake discs.



CAUTION!

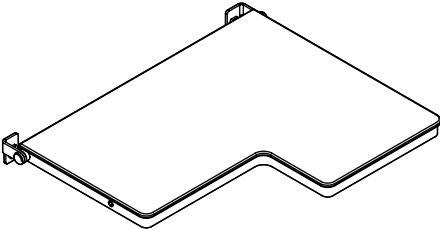
Never stand or jump on the seat. Any improper use, e.g. for climbing or exercise, may lead to injuries due to slipping or falling.



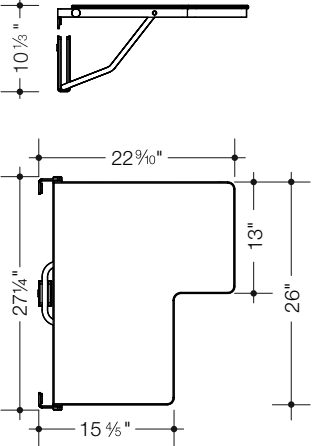
NOTICE

The surface of the seat is sensitive to scratches caused by dust or dirt on or near the place of installation. Keep the seat in its packaging for as long as possible. Once the seat is installed, cover it in its protective foil until all construction work is done and the seat is ready to be used.

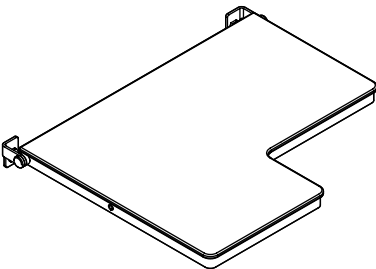
900.51.206XA



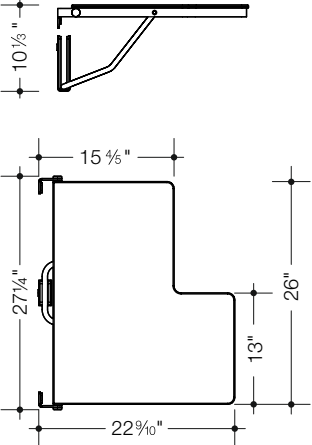
right-sided version



900.51.207XA

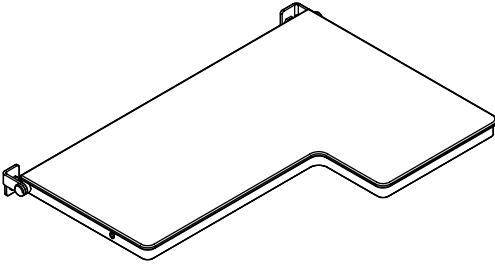


right-sided version

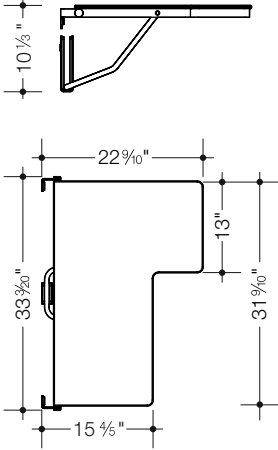


Product information

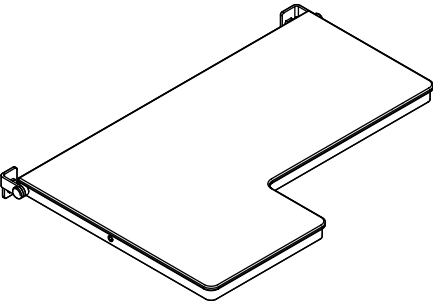
900.51.208XA



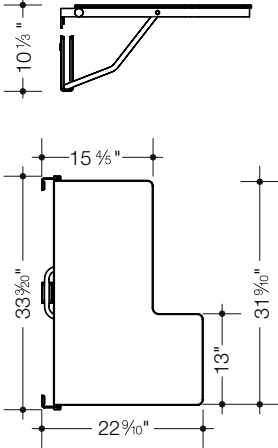
right-sided version



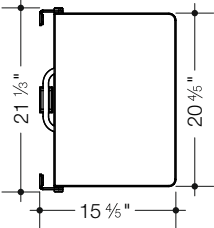
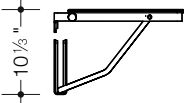
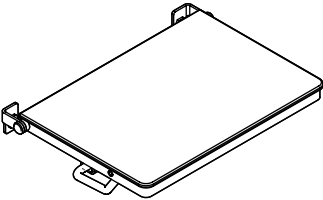
900.51.209XA



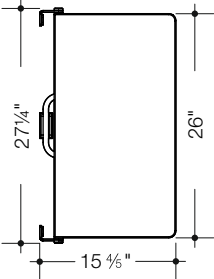
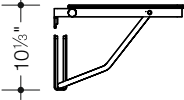
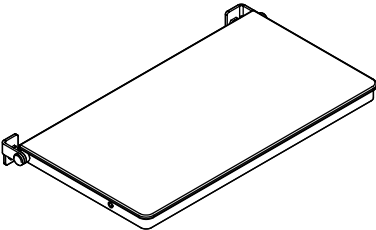
right-sided version



900.51.210XA

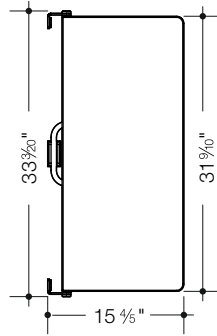
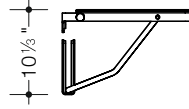
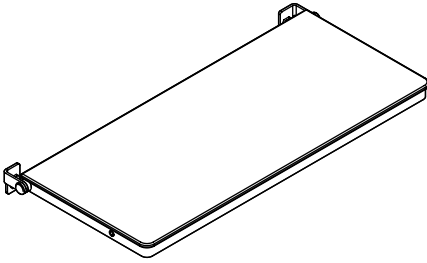


900.51.211XA

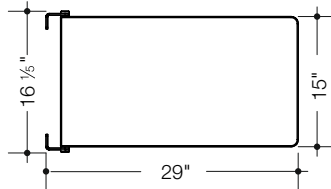
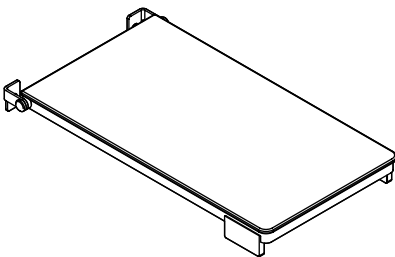


Product information

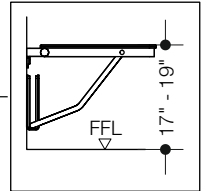
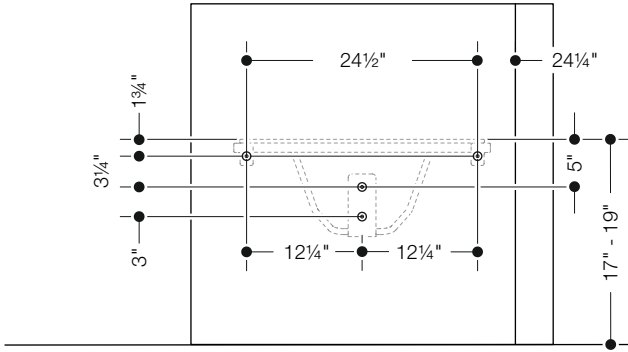
900.51.212XA



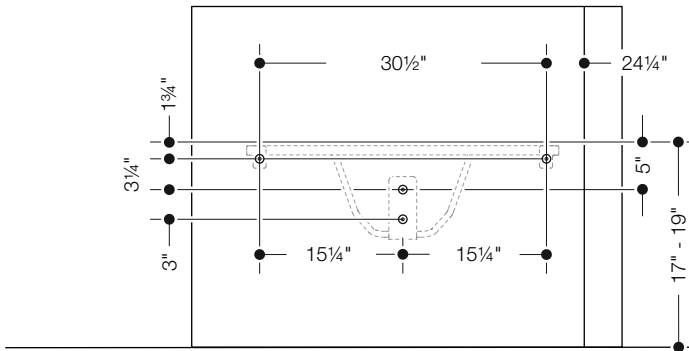
900.51.213XA



900.51.206...
 900.51.207...
 900.51.211...

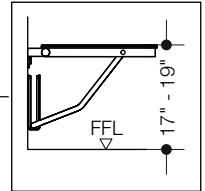
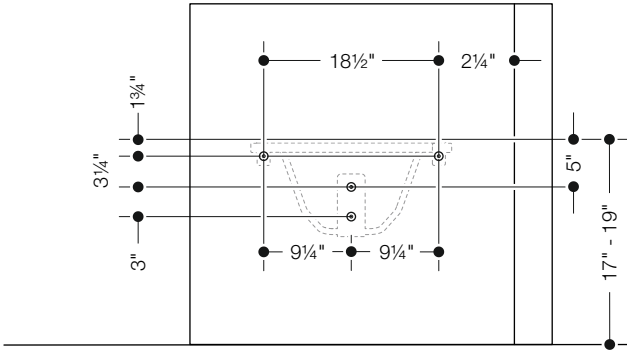


900.51.208...
 900.51.209...
 900.51.212...

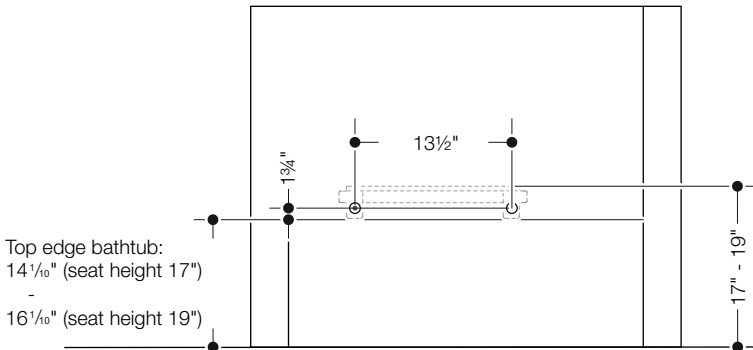


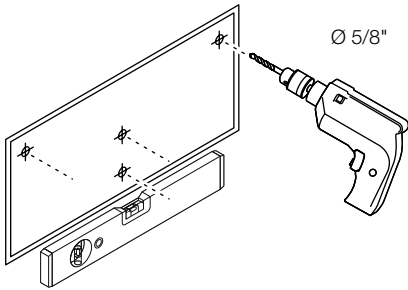
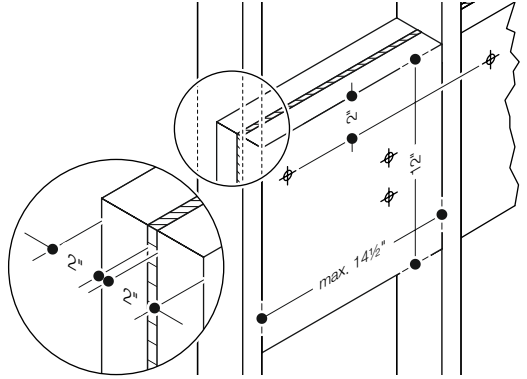
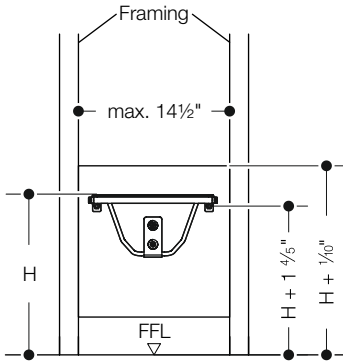
Mounting

900.51.210...

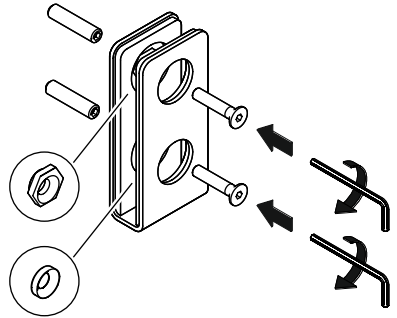


900.51.213...

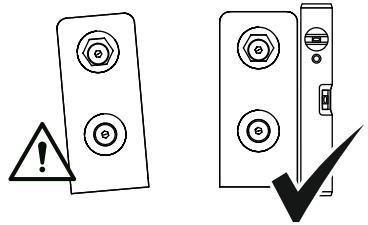
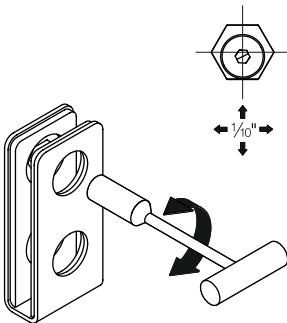




1

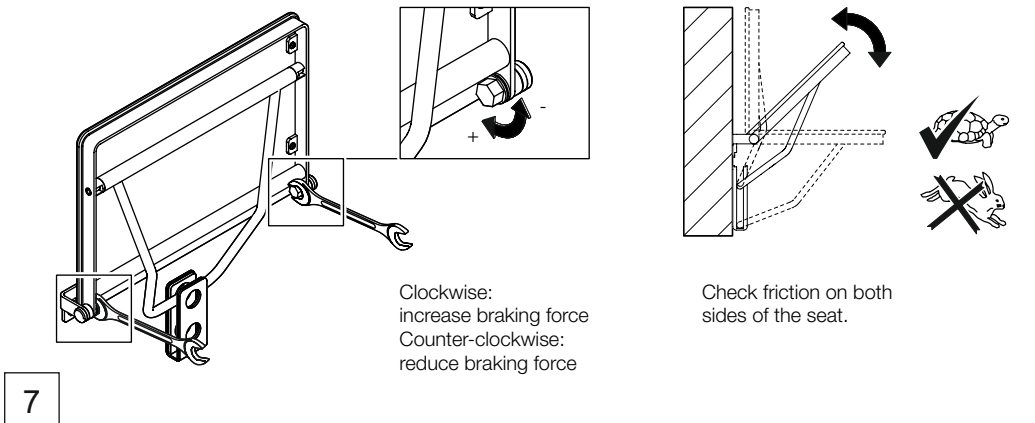
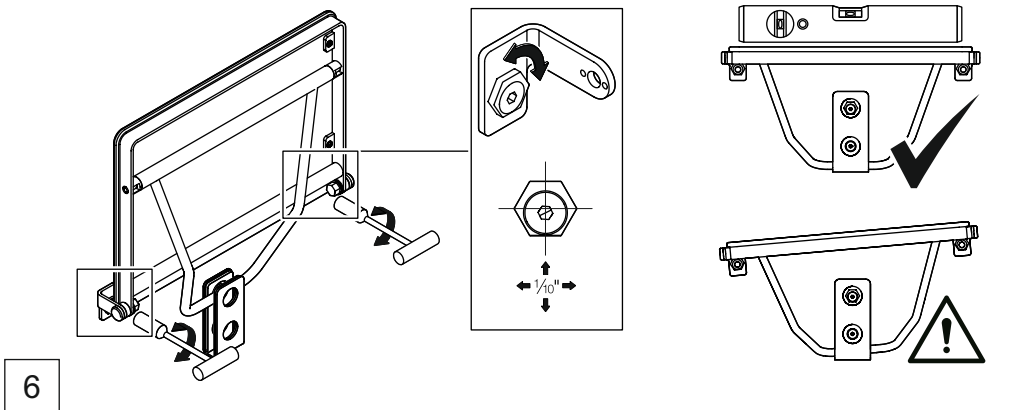
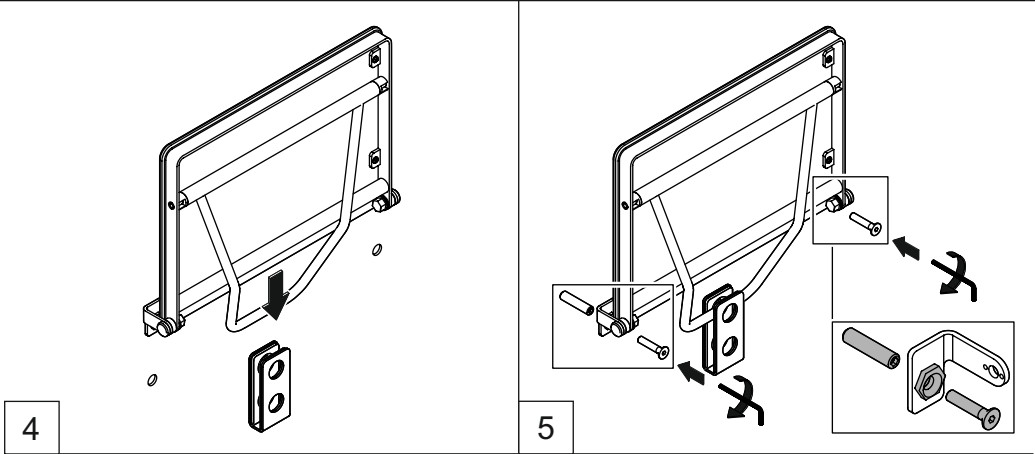


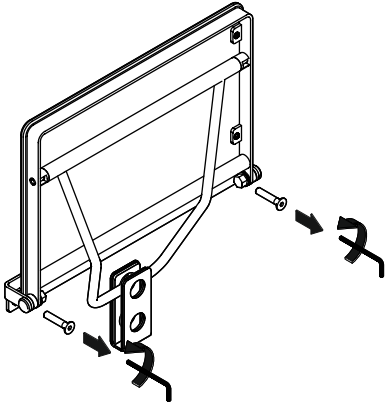
2



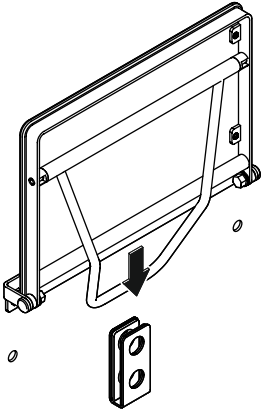
3

Mounting

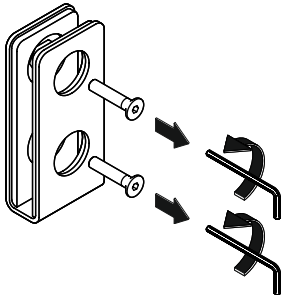




1



2



3

HEWI

www.hewi.com



GERMANY

HEWI Heinrich Wilke GmbH

Prof.-Bier-Straße 1-5

D-34442 Bad Arolsen

Phone: +49 5691 82-0

Fax: +49 5691 82-319

international@hewi.de



M9000.24

2024/01