

- Ⓓ Montage- und Gebrauchsanleitung
- ⒼⒷ Installation and operating instructions
- Ⓕ Notice de montage et mode d'emploi
- ⒼⓃ Installatie- en gebruikshandleiding
- Ⓘ Istruzioni di montaggio e per l'uso
- Ⓔ Instrucciones de instalación y funcionamiento
- Ⓗ Instrukcja montażu i obsługi
- ⒹⓀ Monterings- og brugsanvisning



Reinigung und Pflege | Care and cleaning | Nettoyage et entretien
Reiniging en onderhoud | Manutenzione e pulizia | Cuidado y limpieza
Czyszczenie i pielęgnacja | Rengøring og pleje

D	HEWI Support	0049 5691 82-300 (D) 00 800 4394 4394 (A, CH Freecall Festnetz)
GB	HEWI support	0044 1634 258200 (UK) 0049 5691 82-0 (international)
F	Support HEWI	0033 472 83 09 09 (F) 00 800 4394 4394 (BE, LU, CH appel gratuit, poste fixe)
NL	HEWI support	00 800 4394 4394 (BE, LU, NL gratis, vaste lijn)
I	Supporto HEWI	0049 5691 82-0
E	Soporte HEWI	0049 5691 82-0
PL	Wsparcie HEWI	0048 22 330 0052
DK	HEWI support	0049 5691 82-0

User information	3
Product information	4
Mounting	5
Instructions for use	7
Demounting	8

Intended purpose

The HEWI hinged seat is designed for use in bathrooms, especially showers. It provides the option to sit down while taking a shower for persons with or without physical disabilities.

Exclusion of liability

HEWI accepts no liability whatsoever for damage to persons or property that occurs or has occurred as a result of improper mounting or maintenance, particularly if the safety instructions and other points to note listed are not or have not been observed in full. HEWI accepts no liability whatsoever for damage occurring from incorrect cleaning.

Warning notices



CAUTION!

Comply with the intended purpose, stated maximum load and fixing instructions.

Disposal

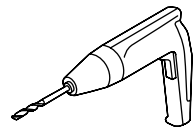
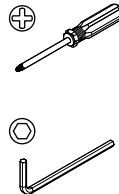
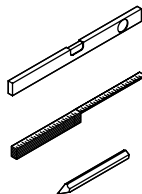
Disposal of the product and packaging is subject to the relevant national regulations.

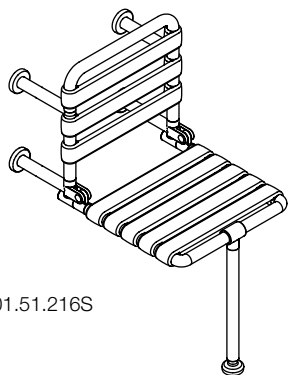
Safety instructions

These instructions are intended for qualified skilled personnel and the user of the installed product. Following installation, the instructions must be made available to the user.

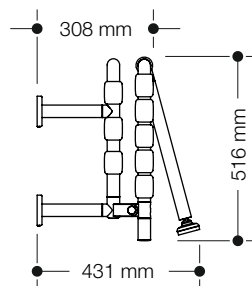
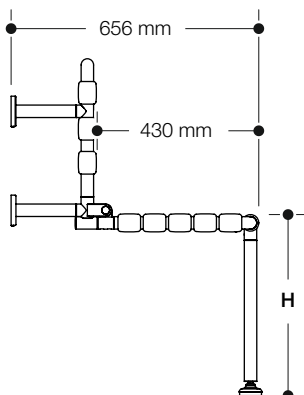
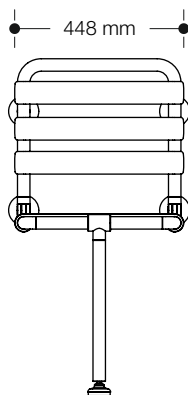
- Follow with the installation instructions and instructions for use.
- In case of questions, problems, uncertainties or if damage occurs, contact the HEWI support service.
- Ensure that the product is installed, maintained and repaired by qualified, skilled personnel only.
- Check the product for damage on acceptance. Report defects immediately.
- Install/use the product only:
 - in accordance with its intended purpose
 - in its original condition without modifications
 - in perfect condition
- Use original spare parts only.
- Use only HEWI fixing materials.
- Only use in closed rooms.
- Ensure that the wall structure is able to permanently withstand the expected load. Lightweight construction walls must be appropriately lined at the back.

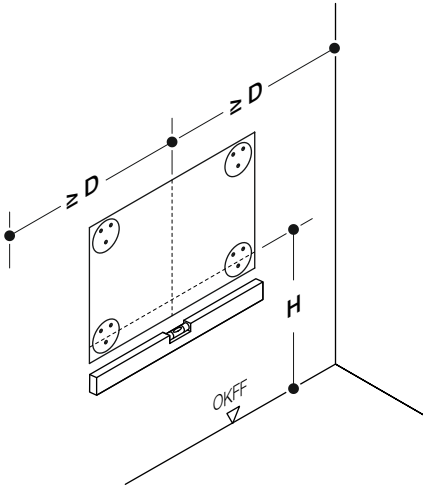
Benötigte Werkzeuge
Tools required
Outillage requis
Benodigd gereedschap
Attrezzi richiesti
Herramientas requeridas
Narzędzi koniecznych
Nødvendigt værktøj





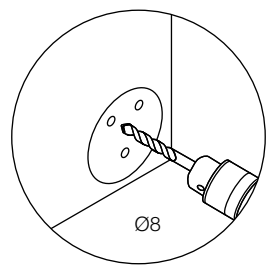
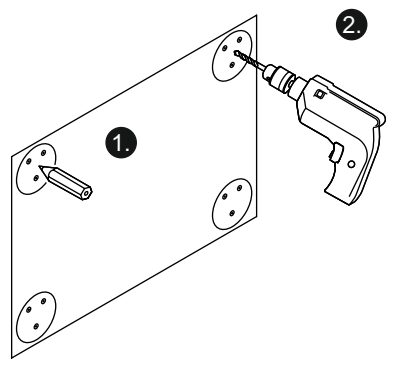
801.51.216S



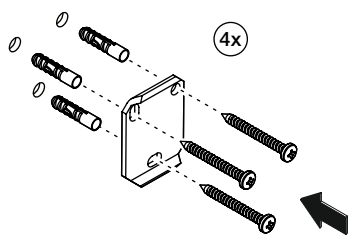


H	480 mm
D	500 mm
Observe any differing or updated country-specific specifications!	

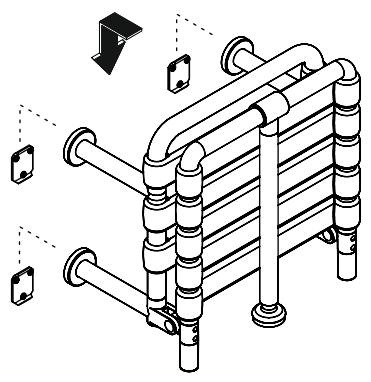
1



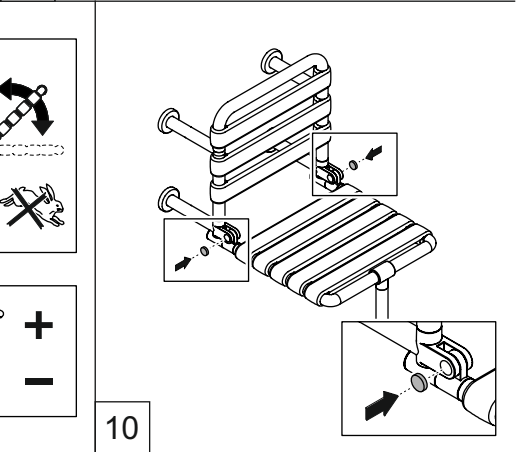
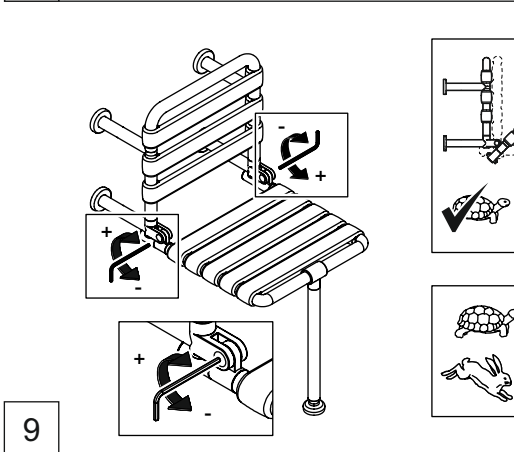
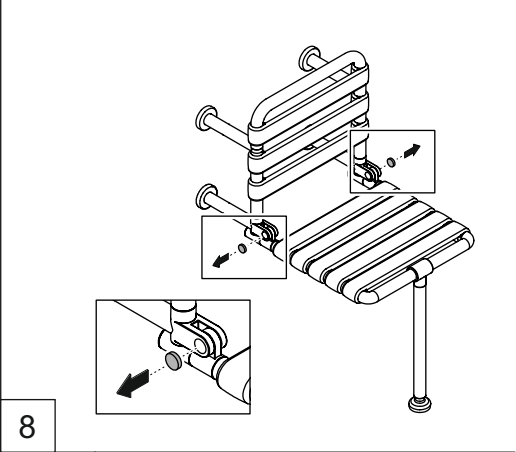
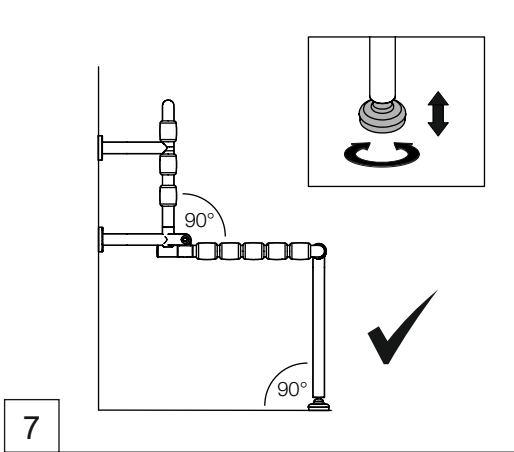
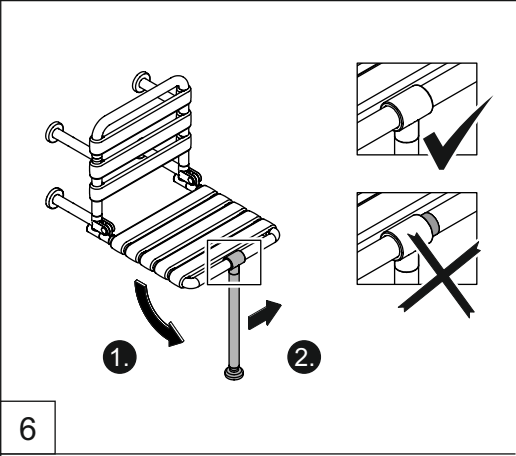
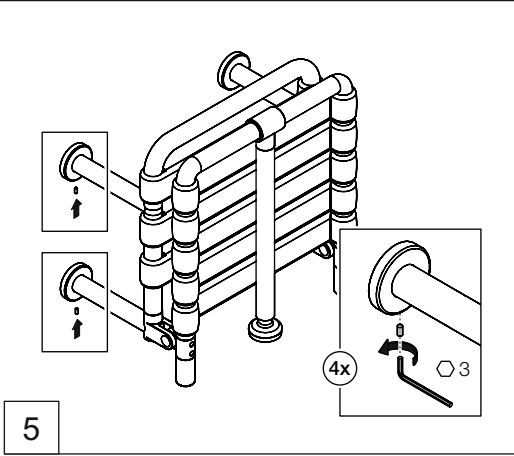
2

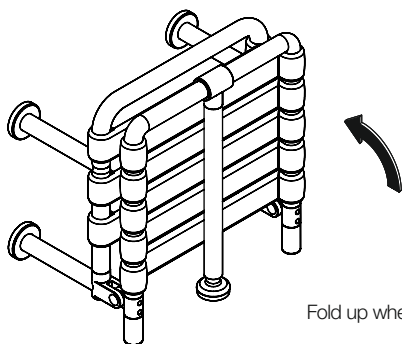
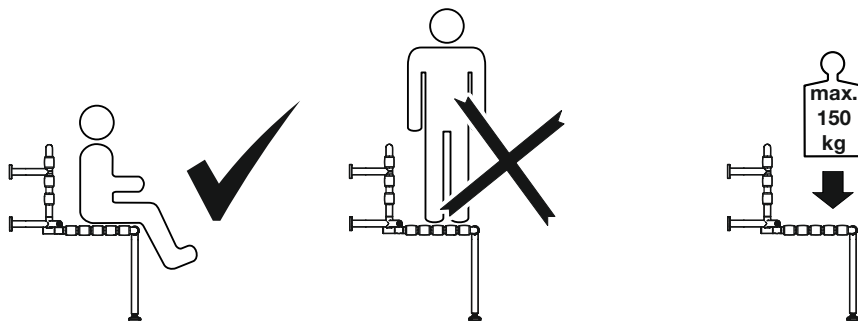


3

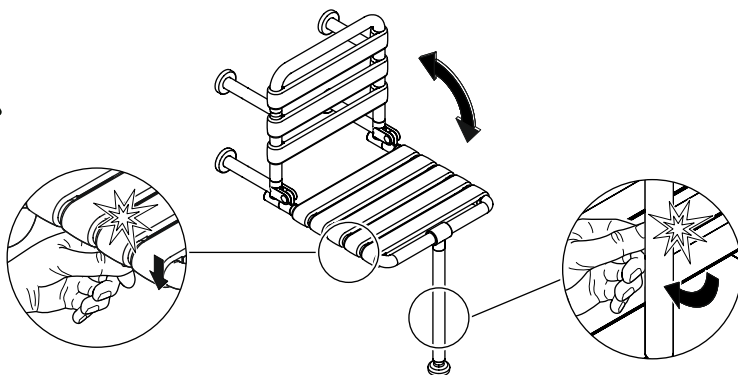


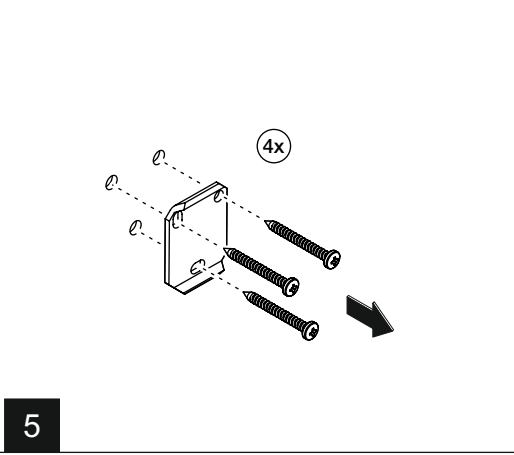
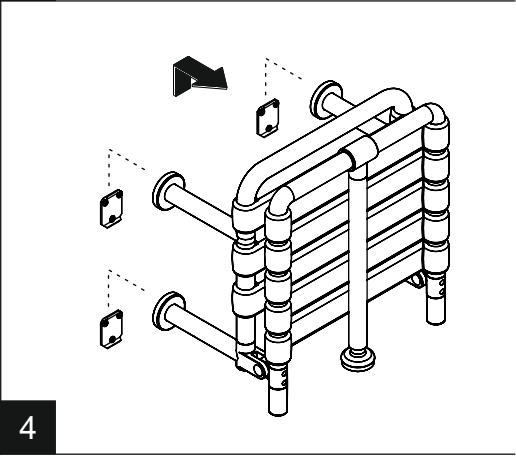
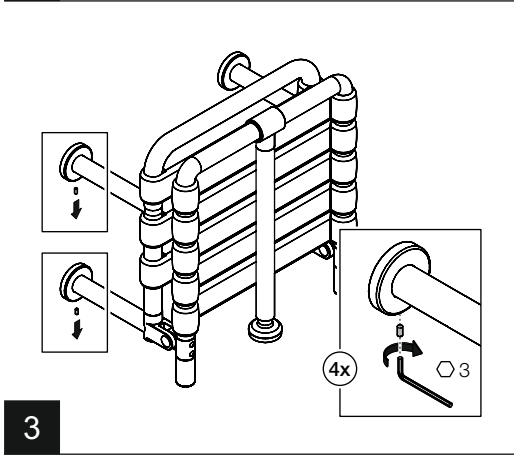
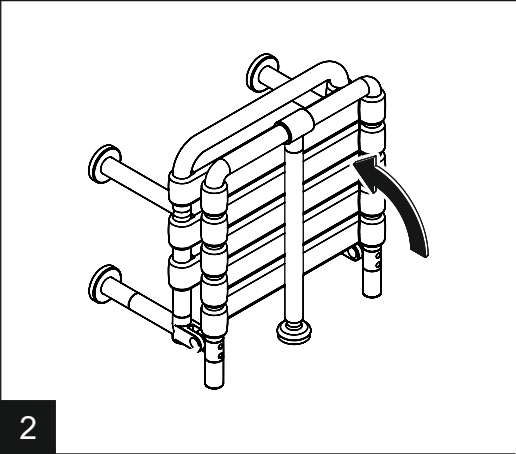
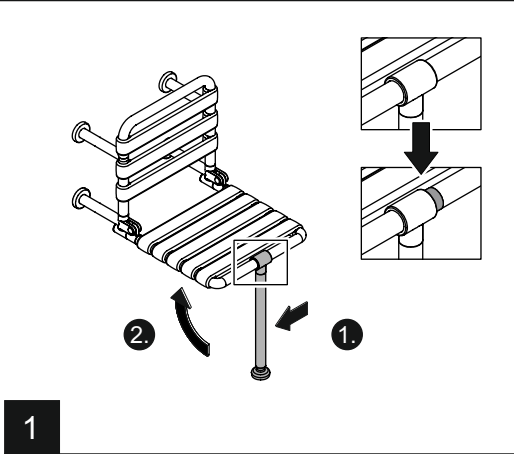
4





Fold up when not in use.





HEWI

www.hewi.com

 GERMANY
HEWI Heinrich Wilke GmbH
Prof.-Bier-Straße 1-5
D-34442 Bad Arolsen
Phone: +49 5691 82-0
Fax: +49 5691 82-319
international@hewi.de



M8010.20

2023/11