

MOBILE HINGED SUPPORT RAILS

NECESSARY


OPTIONAL SEPARATELY



**900.50.400.. | Mono**

- stainless steel, optionally satin finish, chrome-plated, powder-coated in 3 colours or PVD-coated in 4 surfaces
- projection: 600 mm


+



**900.50.001XA**

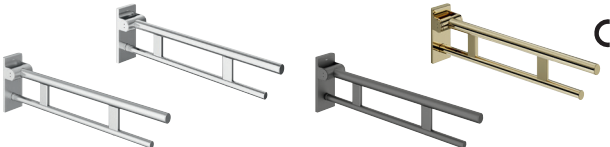
- mounting plate made of stainless steel, satin finish

OPTIONAL



**900.50.002XA**

- cover for covering fixed mounting plates
- face plate made of stainless steel, satin finish
- cover frame made of polyamide in HEWI colours 98 (signal white) or 92 (anthracite grey)



**900.50.40.. | Duo**

- stainless steel, optionally satin finish, chrome-plated, powder-coated in 3 colours or PVD-coated in 4 surfaces
- projection: 600, 700, 750, 850, 900 mm


+



**900.50.00140**


- mounting plate made of stainless steel, chrome-plated

OPTIONAL



**900.50.00240**

- cover for covering fixed mounting plates
- face plate made of stainless steel, mirror polished
- cover frame made of polyamide in HEWI colours 98 (signal white) or 92 (anthracite grey)



**900.50.40.. | with toilet roll holder**

- stainless steel, optionally satin finish, chrome-plated, powder-coated in 3 colours or PVD-coated in 4 surfaces
- projection: 700, 750, 850, 900 mm

+



**900.50.00160**

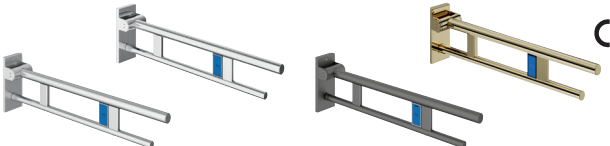
- mounting plate made of stainless steel, powder-coated in 3 colours: DX (matt white), SC (matt dark grey pearl mica) or DC (matt black)

OPTIONAL



**900.50.00260**

- cover for covering fixed mounting plates
- face plate made of stainless steel, powder-coated in AS (matt white) or CV (matt black)
- cover frame in matching matt white or matt black



**900.50.4.. | with toilet flushing solution (radio)**

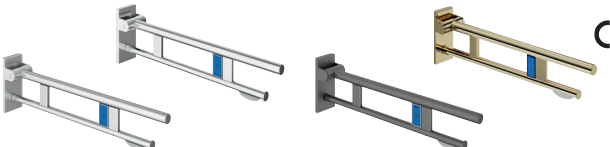
- stainless steel, optionally satin finish, chrome-plated, powder-coated in 3 colours or PVD-coated in 4 surfaces
- projection: 700, 750, 850, 900 mm
- left and right version

+



**900.50.00170**

- mounting plate made of stainless steel, PVD-coated in CK (brass glossy), LP (brass brushed), WR (nickel brushed), EC (black chrome glossy)






**900.50.41.. | with toilet roll holder and toilet flushing solution (radio)**

- stainless steel, optionally satin finish, chrome-plated, powder-coated in 3 colours or PVD-coated in 4 surfaces
- projection: 700, 750, 850, 900 mm
- left and right version

+





HEWI Powder coating | Material combinations with synthetic material

-  ...60 AS matt white | white synthetic material
-  ...60 ER matt dark grey pearl mica | black synthetic material
-  ...60 CV matt black | black synthetic material

HEWI Powder coating

-  ...60 DX matt white
-  ...60 SC matt dark grey pearl mica
-  ...60 DC matt black

HEWI PVD-coating


-  ...70 CK brass glossy
-  ...70 LP brass brushed
-  ...70 WR nickel brushed
-  ...70 EC black chrome glossy

OR SET

NECESSARY FOR ALL


OPTIONAL FOR ALL

OR



**900.50.003XA**  
 · set of mounting plate 900.50.001XA and cover 900.50.002XA

OR



**900.50.00340**  
 · set of mounting plate 900.50.00140 and cover 900.50.00240

OR



**900.50.00360**  
 · set of mounting plate 900.50.00160 and cover 900.50.00260



**900.50.00370**  
 · set of mounting plate 900.50.00170 with white cover

**900.50.00570**  
 · with black cover

+

+

+

**BM17.2**

For fixing on walls made of concrete (> C20/C25)  
 National technical approval number: ETA-11/0493

additionally:

injection mortar (HEWI item No.: 200311)

or to be provided on site:

injection mortar HIT-HY200A (Hilti)

extrusion tool HDM (Hilti)

**BM10.2**

For fixing on walls made of concrete (> C20/C25)

**BM11.2**

For fixing on walls made of autoclaved aerated concrete (> P2)

additionally:

injection mortar (HEWI item No.: 200266)

conical drill bit (HEWI item No.: 171041)

or to be provided on site:

injection mortar HIT-HY 270 (Hilti)

extrusion tool HDM (Hilti)

conical drill bit TE-C PB 22/100 (Hilti)

**BM12.2**

For fixing on lightweight walls with rear lining made of laminated timber boards (with waterproof bonding, at least 30 mm thick required, e.g. studs or prewall installation)

**BM13.2**

For fixing on lightweight walls with integrated steel plates (e.g. studs or pre wall installation)

**BM18.2**

For fixing on walls made of:

- solid bricks
- perforated calcium silicate block
- hollow concrete block
- vertically perforated bricks
- hollow lightweight concrete block
- lightweight aggregate concrete with open structure

National technical approval number: ETA-13/1036

additionally:

injection mortar (HEWI item No.: 200266)

or to be provided on site:

injection mortar HIT-HY 270 (Hilti)

extrusion tool HDM (Hilti)

OPTIONAL

OPTIONAL

OPTIONAL



**Protection and storage bag**

**950.50.013**

- made of high-quality, tearresistant white synthetic material sheeting
- high-quality fleece lining on the inside to protect the mobile hinged support surfaces