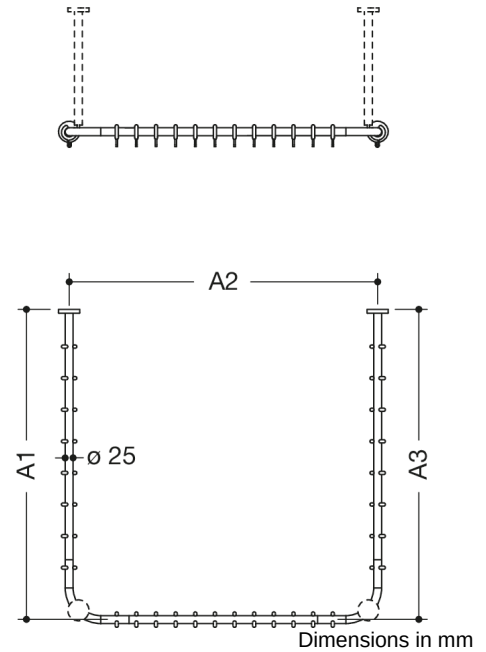




Similar picture



Properties

Curtain rail, System 900

- horizontally arranged rails connected at right-angles in U-shape, with curtain rings
- made of high-quality stainless steel, satin
- Lengths made-to-measure with rails for wall mounting from 320 mm to 1700 mm and connecting rail from 525 mm to 1675 mm
- with a corresponding number of curtain rings made of white POM
- rail diameter 25 mm, rose diameter 70 mm
- can be shortened at the ends on site to 320 mm
- fixing onto wall and ceiling with roses, ceiling hangers required (max. 600 mm long)
- including non-corrosive and tested HEWI fixing material and sealing tape for sealing the drilling points

Awards

