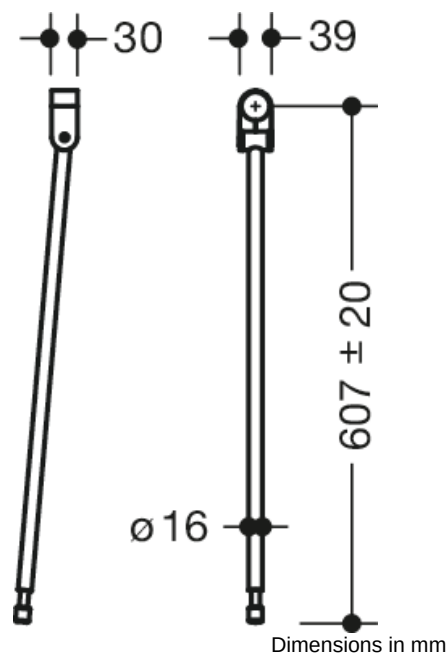




Similar picture



Properties

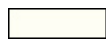
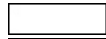

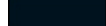
Range 805 floor support

- vertical floor support for retrofitting on hinged support rails and stationary support rails 805.50...
- mounting height 760 mm (to fulfil the DIN 18040 height requirements)
- easy installation
- connection made of high-quality polyamide in colours 90 (jet black), 92 (anthracite grey), 98 (signal white) 99 (pure white)
- support made of high-quality stainless steel with satin finish
- vertical length 607 mm
- height adjustment within +/- 20 mm range possible
- produced in accordance with CE- and UKCA-Regulation (EU) 2017/745 on medical devices

Certificates



Colours / Surfaces

| | |
|---|----------------------|
|  | 99 (pure white) |
|  | 98 (signal white) |
|  | 92 (anthracite grey) |
|  | 90 (jet black) |