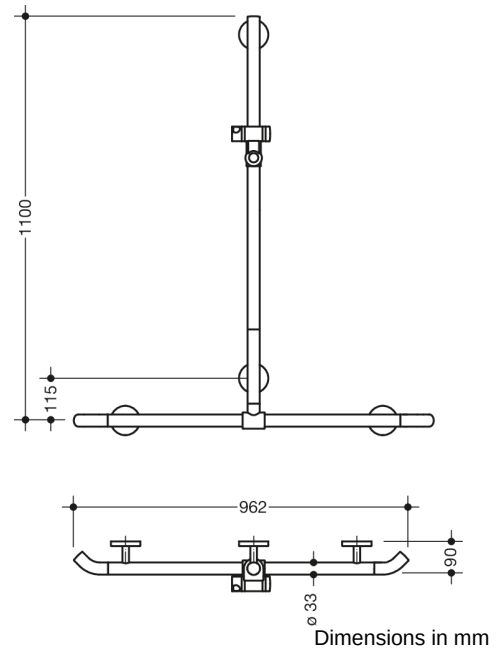




Similar picture



## Properties

Shower, Bath handrail with WARM TOUCH shower rail

- Rails arranged vertically and horizontally, Rods connected at right angles with shower head holder
- with 45° end bends pointing towards the wall
- With vertical rail with shower head holder that can be moved to the side (for installation)
- Made from high-quality chrome-optic coated polyamide with a warm feel
- Shower holder made of high-quality polyamide in HEWI colour 92 (anthracite grey)
- With continuous, corrosion-resistant steel core
- Vertical length 1100 mm, Horizontal length 962 mm
- Depth 90 mm , Rod diameter 33 mm
- Wall connection with filigree supports straight to the wall (diameter 18 mm) and flat rosettes
- Rosette diameter 80 mm, cap height 13 mm
- Shower head holder can be continuously tilted and, after pulling or pushing a large lever, its height can be adjusted
- Conical adapter on shower head holder makes it easier to hook in the shower head
- Suitable for hand showers from various manufacturers
- Simple installation thanks to individually mountable fastening plates made of high-quality stainless steel for attaching the shower tray., Bath handrail
- including corrosion-free HEWI fixing material
- Please note when using with suspended seats: Compatibility check required.
- tested up to 200 kg when used with HEWI fixing material
- Recommended maximum weight of the user: 150 kg
- A detailed list of the possible combinations of grab rails, Angled rails and shower handrails with matching hanging seats can be found in our online catalogue in the download area of the respective product.

## Awards



award 2013



award 2013