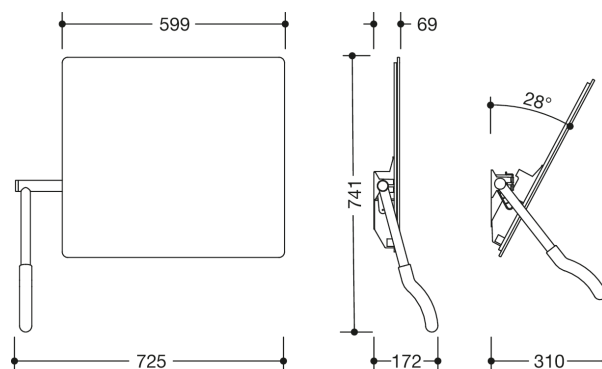




Similar picture



Dimensions in mm

Properties

Range 802 LifeSystem Adjustable mirror (lever on left)

- rectangular crystal glass mirror with rounded edges and integrated splinter protection
- easy adjustment of the tilt between 0 to 28° from a seated position
- lever on left
- 725 mm wide, 741 mm high, mirror 69 mm deep, clear distance between wall and handle 139 mm
- gripping rail made of high-gloss chrome-plated brass, axle made of polished and anodised aluminium in colour E6 EV1
- with ergonomic handle made of polyamide according to HEWI colour chart
- including non-corrosive HEWI fixing material.

Awards



red dot design award
winner 2003

Colours / Surfaces

	99 (pure white)		92 (anthracite grey)		74 (apple green)		36 (coral)
	98 (signal white)		90 (jet black)		72 (may green)		33 (ruby red)
	97 (light grey)		86 (sand)		55 (aqua blue)		24 (orange)
	95 (stone grey)		84 (umber)		50 (steel blue)		18 (mustard yellow)