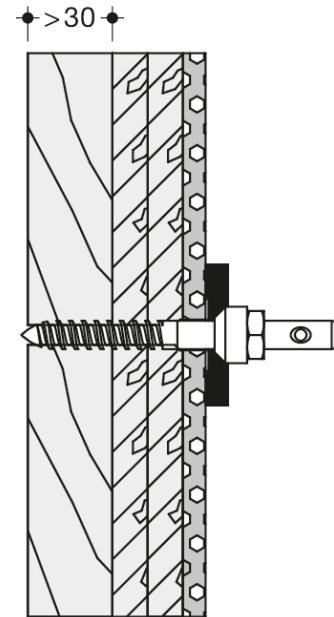


Similar picture



Dimensions in mm

Properties

Fixing type

- for Range 801 / 805 Classic backrest rails

For installation on both sides on stationary support and hinged support rails range 801 / 805 Classic with fixing BM12.2 for use on lightweight walls with rear lining, e.g. laminated timber boards (waterproof bonding, min. 30 mm thickness required, for example, Support stand or wall installation)

Consisting of:

- 2 stainless steel screws diameter 10 x 95 mm
- 2 centring sleeves diameter 20/11 x 11.5 mm