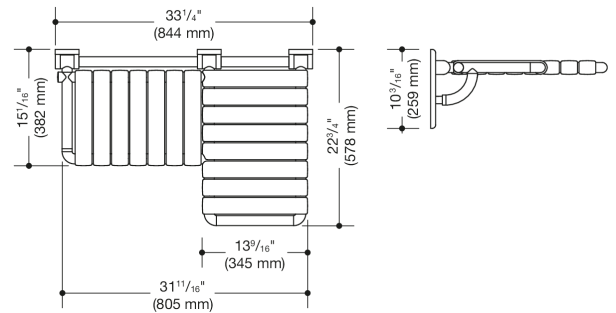




Similar picture



Dimensions in mm

Properties

Shower folding seat, L-shape (USA)

- design made from rails and seat elements
- functions as a secure seat in the shower area
- can be folded up
- with corrosion-protected steel core throughout
- wall plate made from synthetic material with integrated steel core
- protruding seat element right
- the narrow seating element is 18 1/8 inch (460 mm) wide and 15 1/16 inch (382 mm) deep
- the protruding seat element is 13 9/16 inch (345 mm) wide and 22 3/4 inch (578 mm) deep
- seat elements 2 3/16 inch (55 mm) wide
- maximum loading capacity 450 lbs (204 kg)
- includes fixing material for mounting to cavity walls with wood backlining of two 2 inch x 12 inch laminate or hardwood boards connected with a 1/2 inch x 12 inch plywood board
- concealed fastening
- made from high-grade synthetic material in the HEWI colors 99 (pure white), 95 (stone grey), 92 (anthracite grey), 90 (jet black), 86 (sand), 84 (umber) and 33 (ruby red)
- meets the requirements of 2010 ADA standards and ICC/ANSI A117.1-2017

Awards



Colours / Surfaces

	99 (pure white)
	95 (stone grey)
	92 (anthracite grey)
	90 (jet black)

	86 (sand)
	84 (umber)
	33 (ruby red)