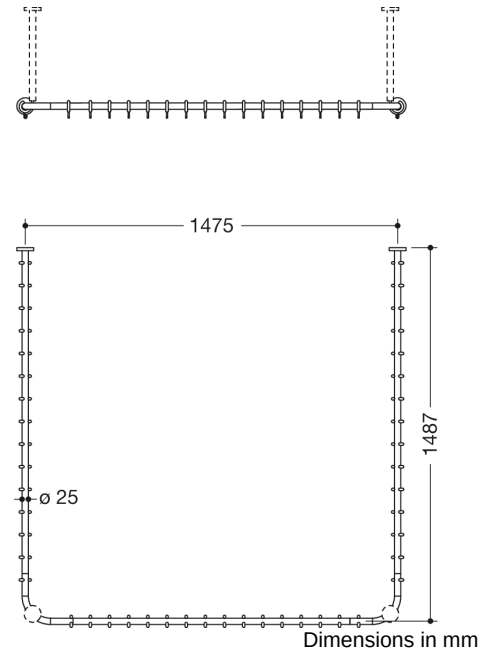




Similar picture



Properties

Curtain rail, System 900

- horizontally arranged rails connected at right-angles in U-shape, with curtain rings
- made of high-quality stainless steel, chrome
- for shower tray 1500 x 1500 mm
- fixing spacing 1487 x 1475 x 1487 mm
- with 46 curtain rings made of white POM
- recommended curtain width 2 x 3000 mm
- rail diameter 25 mm, rose diameter 70 mm
- can be shortened at the ends on site to 320 mm
- fixing onto wall and ceiling with roses, ceiling hangers required (max. 600 mm long)
- including non-corrosive and tested HEWI fixing material and sealing tape for sealing the drilling points

Awards

