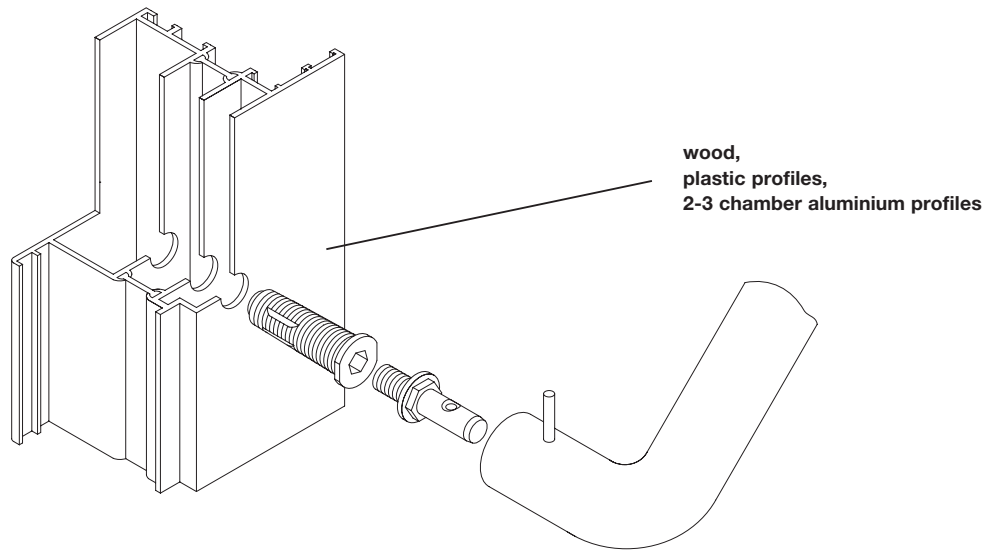
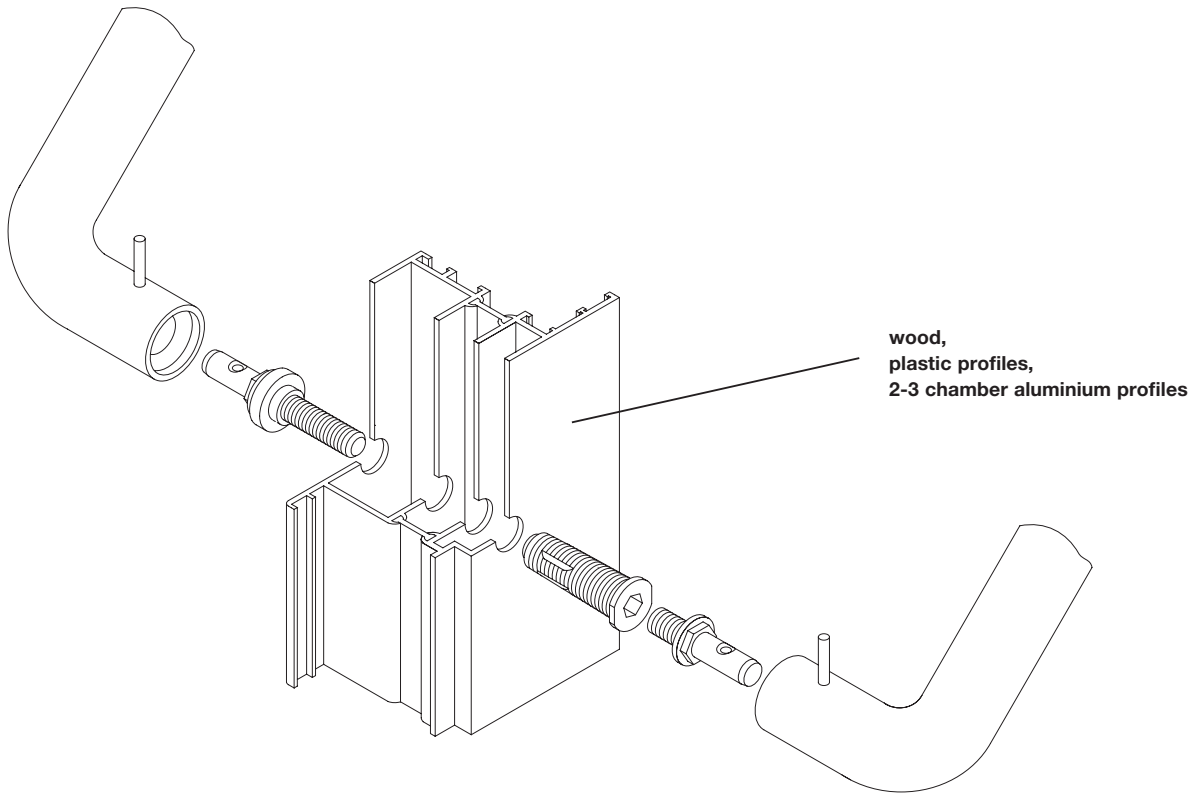


One-sided installation



Installation per pair



Technical information for:**Pull handles and fixing concepts**

The system is equally suitable for wooden doors, plastic profiles, steel profiles and aluminium profiles, too. The heart of the new fixing system is the BA5.1 fixing sleeve.

Advantages

- one fixing system for 3 materials (wood, plastic, metal)
- storage space is reduced due to the use of only a few components
- easy and fast installation
- only perforated handle elements
- modular system
- high durability (alternating load of 100 kg for wood and aluminium, or of 50 kg for plastic)
- no deformation (denting) of the profiles
- customised packaging: packaging unit one, two or ten pieces etc.

The heart of the fixing system

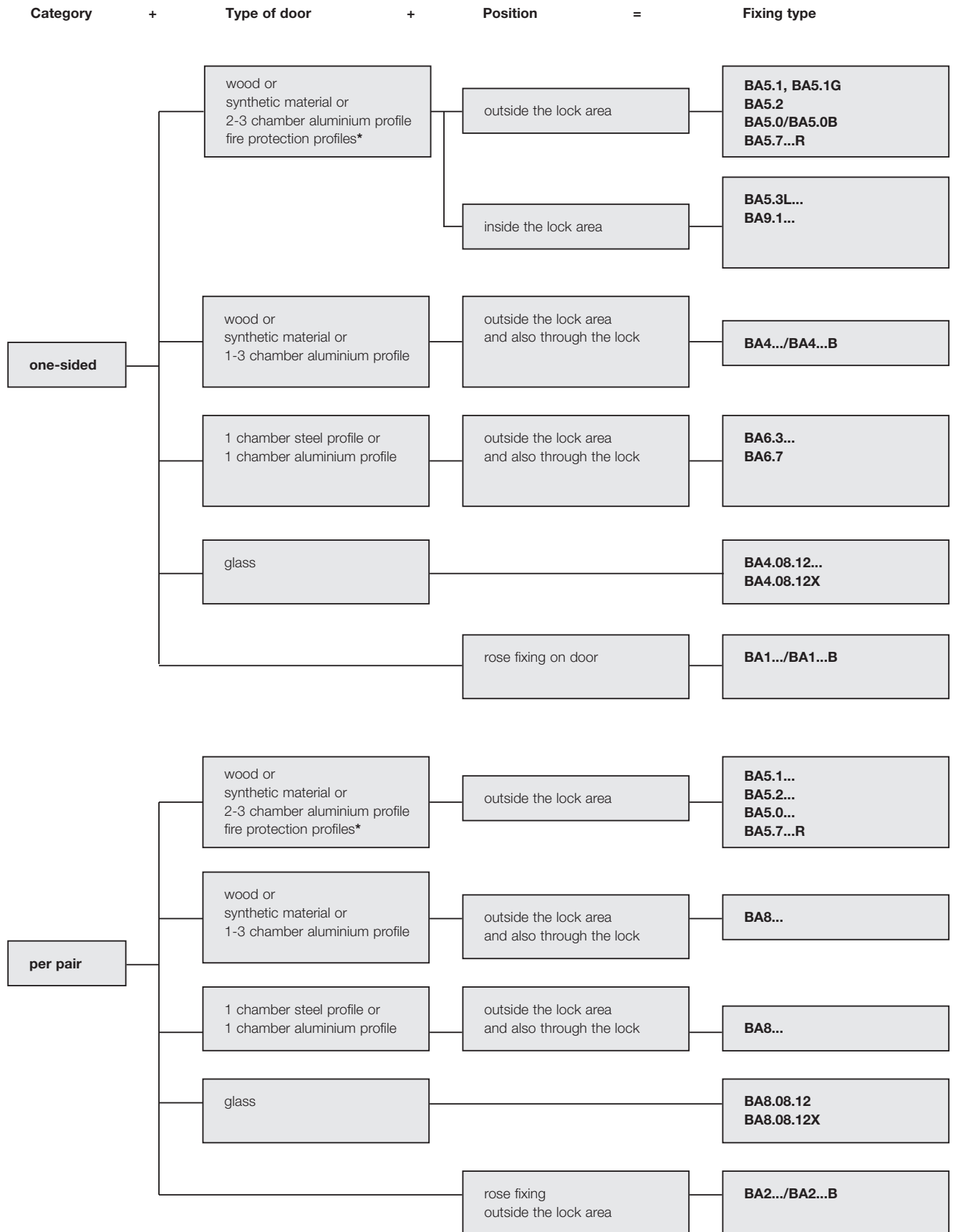
Heart of the BA5.1 fixing system is the fixing sleeve of surface-hardened steel, which, by means of its special thread, can be fitted with a lasting and secure grip to wood, plastic, steel and aluminium profiles. It covers 90% of all potential applications.

Fixing sleeve

Pull handles | Fixing types

Allocation of
fixing systems
to pull handles

	Fixing type	Pull handles with straight supports	Pull handles with inclined supports	Indication of		Drill hole	for polyamide pull handles	for stainless steel pull handles	
				Colour/ surface finish required	Door thickness required				
one-sided	BA5.1, BA5.1G	X				14	X	X	
	BA5.1R, BA5.1GR		X			14	X		
	BA5.2	X				14	X	X	
	BA5.2R		X			14	X		
	BA5.3L...	X				14	X	X	
	BA5.3L...R		X			14	X		
	BA5.0/BA5.0B	X		X		14	X		
	BA5.7.1R, BA5.7.2R, BA5.7.3L...R		X			12		X	
	BA6.3...					8/M8	X	X	
	BA6.3...R		X			8/M8	X		
	BA6.7	X				14	X	X	
	BA6.7R		X			14	X		
	BA9.1...	X				14	X	X	
	BA4.08.12 (glass)	X				18	X		
	BA4.08.12X.. (glass)	X				14		X	
	BA4...	X			X	X	12	X	X
	BA4...R			X	X	X	12	X	
	BA1...	X			X			X	
per pair	BA5.1...	X			X	14	X	X	
	BA5.1...R		X		X	14	X		
	BA5.2...	X			X	14	X	X	
	BA5.2...R		X		X	14	X		
	BA5.0...	X		X	X	14	X		
	BA5.7...R	X	X					X	
	BA8.08.12 (glass)	X				12	X		
	BA8.08.12X.. (glass)	X				18		X	
	BA8...	X			X	14	X	X	
	BA2...	X			X	12	X		

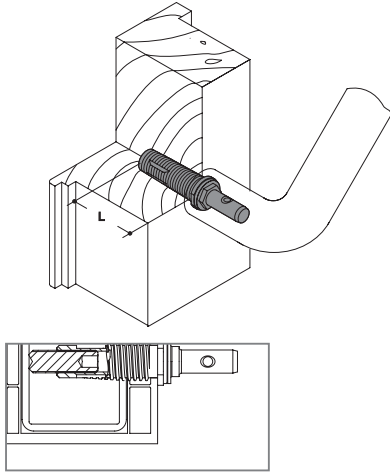


* Fire protection profiles made of steel, stainless steel or aluminium. Please note the valid fire protective regulations according to European and German Standard/Regulation. Hotline +49 5691 82-300 or international@hewi.com

→ HEWI Renovation solution for stainless steel handles

Item number

Specification



BA5.1
BA5.1R
BA5.1G

BA5.1GR

BA5.2
BA5.2R

HEWI Fixing type 5.1.../5.2...

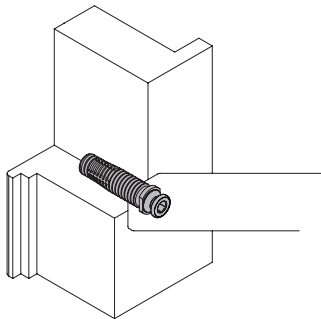
- for securing handles on one side to solid wood, synthetic material and 2 to 3-chamber aluminium sections, fire protection profiles made of steel, stainless steel or aluminium
- drill hole in door \varnothing 14 mm

- dimension L = 46 mm, door thickness > 50 mm
- do., for **pull handle 33.2070S/33.2070BS**
- do., with grub screw for additional anchoring in metal reinforcement of the synthetic material profile (see detail)
- do., for **pull handle 33.2070S/33.2070BS**

- dimension L = 32,5 mm, door thickness 40-50 mm
- do., for **pull handle 33.2070S/33.2070BS**

Tools required

- open jawed spanner AF13 / AF19
- hexagonal spanner AF10 / AF6 (at ...R)



BA5.7.1R
BA5.7.2R

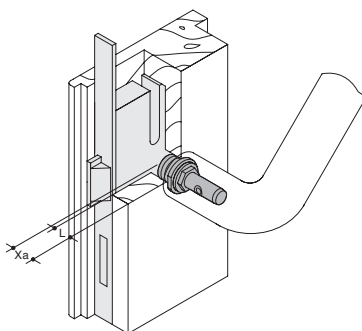
HEWI Fixing type 5.7...

- for securing handles on one side to solid wood, synthetic material and 2 to 3-chamber aluminium sections, fire protection profiles made of steel, stainless steel or aluminium
- drill hole in door \varnothing 12 mm

- dimension L = 46, door thick. > 50 mm, for **pull handle 160X3000G7**
- dimension L = 32,5, door thick. 40 - 50 mm, for **pull handle 160X3000G7**

Tools required

- open jawed spanner AF13
- hexagonal spanner AF6 / AF8



BA5.3L16
to
BA5.3L31
BA5.3L...R

BA5.7.3L...R

HEWI Fixing type 5.3L... / 5.7.3L...

- for securing handles on one side to solid wood, synthetic material and 2 to 3-chamber aluminium sections, fire protection profiles made of steel, stainless steel or aluminium inside the lock area
- drill hole in door \varnothing 14 mm

- dimension L = 16 mm, dim. Xa min. 18 mm, drill hole in door \varnothing 14 mm
- dimension L = 31 mm, dim. Xa min. 33 mm, drill hole in door \varnothing 14 mm
- do., for **pull handle 33.2070S/33.2070BS**

Tools required

- open jawed spanner AF13 / AF19
- hexagonal spanner AF10 / AF6 (at ...R)

- dimension L = 16 mm, dim. Xa min. 18 mm, drill hole in door \varnothing 12 mm
- dimension L = 31 mm, dim. Xa min. 33 mm, drill hole in door \varnothing 12 mm,
- for **pull handle 160X3000G7**

Tools required

- open jawed spanner AF13
- hexagonal spanner AF6 / AF8

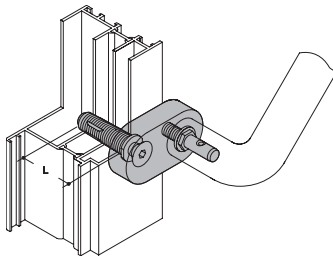
Mounting instructions

Length measurement: dimension Xa - 2 mm = dimension L.
As the mounting sleeve does not have any cutting edges, the securing drill hole with sleeve 5.1 / 5.2 respect. 5.7.1 / 5.7.2 must be rough-cut.
The second securing point should feature BA5.1 / BA5.2 respect. BA5.7.1 / BA5.7.2 for stability reasons.

→ One-sided rose fixing

Item number

Specification



BA5.0*
BA5.0B*

HEWI Fixing type 5.0

- for securing handles on one side to solid wood, synthetic material and 2 to 3-chamber aluminium sections, fire protection profiles made of steel, stainless steel or aluminium
- drill hole in door \varnothing 14 mm

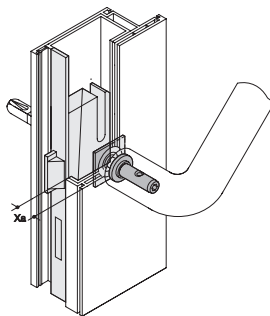
- dimension L = 46 mm, door thickness > 50 mm
- do., for pull handles made of matt polyamide

Please advise colour when ordering.*
Rose fixing: height of handle + 18 mm

A safety distance of 25 mm to the closing edge is ensured according to accident prevention regulations for schools GUV – VS 1 and guidelines for kindergartens – construction and equipment GUV – SR 2002

Tools required

- hexagonal spanner AF6 and AF10, open jawed spanner AF19



BA9.1.15.20
BA9.1.18.23

HEWI Fixing type 9.1...

- for securing handles on one side to solid wood, synthetic material and 2 to 3-chamber aluminium sections, fire protection profiles made of steel, stainless steel or aluminium
- drill hole in door \varnothing 14 mm

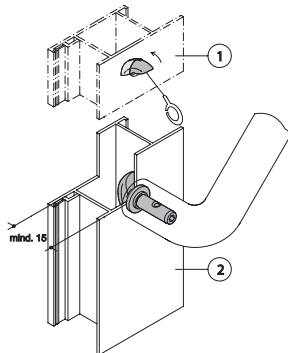
- dimension Xa 15-20 mm
- dimension Xa 18-23 mm

Tools required

- hexagonal spanner AF6

Mounting instructions

The lock case needs to be removed in order to insert the mounting sleeve. The second securing point should feature BA5.1 or BA5.2 for stability reasons.



BA6.7

BA6.7R

HEWI Fixing type 6.7

- for one-sided fixing on profile doors
- drill hole in door \varnothing 14 mm

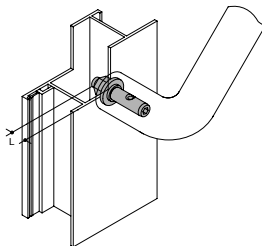
- do., for **pull handle 33.2070S/33.2070BS**

Tools required

- hexagonal spanner AF6

Mounting instructions

Min. 15 mm clearance must be maintained between the first and second wall when mounting the push-in nut.



BA6.3.25
BA6.3.35
BA6.3.60
BA6.3...R

HEWI Fixing type 6.3...

- for one-sided fixing on metal or profile doors
- supplied without blind rivet nut or hexagon nut M8

dimension L
25 mm
35 mm
60 mm

- do., for **pull handle 33.2070S/33.2070BS**

Tools required

- hexagonal spanner AF6

Mounting instructions

Using on metal: thread in door = M8 x length of screw.

Using on sections with blind rivet nut: drill hole in door = depending on the exterior dimension of the nut, rivet flush.

Using on sections with hexagon nut: drill hole in door = \varnothing 8 mm.

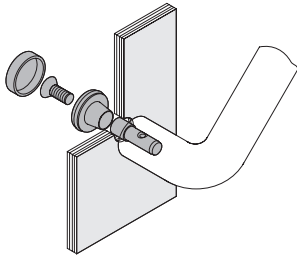
* Available polyamide colours



98* 99 97* 95* 92* 90 *in matt available until 31.03.2025

Item number

Specification



BA4.08.12*
BA4.08.12B*

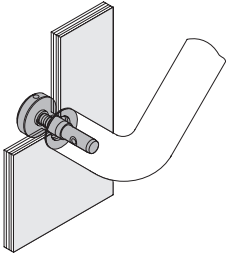
HEWI Fixing type 4.08.12 for pull handles made of polyamide
HEWI Fixing type 4.08.12 for pull handles made of matt polyamide

- for rear-mounting of handle to glass using a blind rose fitting \varnothing 33 mm
- drill hole in door \varnothing 18 mm

Please advise colour when ordering.*

Tools required

- hexagonal spanner AF5



BA4.08.12XA**

HEWI Fixing type 4.08.12XA for pull handles made of st. steel

- for rear-mounting of handle to glass using a blind rose fitting
- drill hole in door \varnothing 14 mm

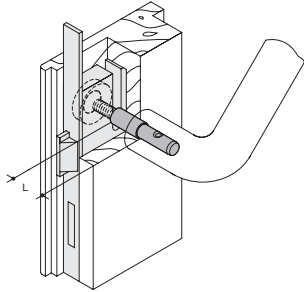
BA4.08.12XAR**

- do., only for **pull handles 100X...G7, 160X3000G7**

Tools required

- hook wrench

Please indicate diameter** when ordering.



for pull handles, polyamide

BA4.12.20*
BA4.20.30*
BA4.30.40*
BA4.40.50*
BA4.50.60*
BA4.60.70*
BA4.70.80*
BA4.80.90*
BA4...R*

for pull handles, matt polyamide

BA4.12.20B*
BA4.20.30B*
BA4.30.40B*
BA4.40.50B*
BA4.50.60B*
BA4.60.70B*
BA4.70.80B*
BA4.80.90B*
BA4...RB*

HEWI Fixing type 4... for pull handles made of polyamide

- for rear-mounting of handle to solid wood, plastic and 1 to 3-chamber aluminum sections using a blind rose fitting \varnothing 33 mm
- drill hole in door \varnothing 12 mm, dimension L = insert depth

Please advise colour when ordering.*

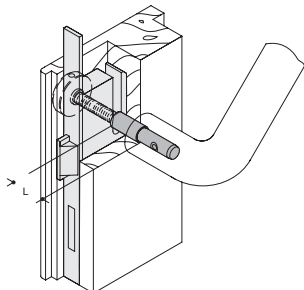
Tools required

- hexagonal spanner AF5

Mounting instructions

can also be used for securing using mortice locks.

dimension L	door thickness
6 mm	12-20 mm
6 mm	20-30 mm
6 mm	30-40 mm
6 mm	40-50 mm
16 mm	50-60 mm
16 mm	60-70 mm
16 mm	70-80 mm
16 mm	80-90 mm
· do., for pull handle 33.2070S/33.2070BS	



BA4.12.20XA**
BA4.20.30XA**
BA4.30.40XA**
BA4.40.50XA**
BA4.50.60XA**
BA4.60.70XA**
BA4.70.80XA**
BA4.80.90XA**
BA4...XAR**

HEWI Fixing type 4...XA for pull handles made of stainless steel

- for rear-mounting of handle to solid wood, synthetic material and 2 to 3-chamber aluminium sections
- drill hole in door \varnothing 12 mm, dimension L = insert depth

dimension L	door thickness
6 mm	12-20 mm
6 mm	20-30 mm
6 mm	30-40 mm
6 mm	40-50 mm
16 mm	50-60 mm
16 mm	60-70 mm
16 mm	70-80 mm
16 mm	80-90 mm

- do., for door thickness 12 - 80 mm available
- only for **pull handle 160X3000G7**

Tools required

- hook wrench

Mounting instructions

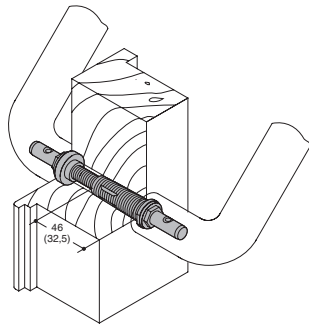
can also be used for securing using mortice locks.

Please indicate diameter** when ordering.

** ...2 = \varnothing 25 mm
...3 = \varnothing 30 mm

Item number

Specification



BA5.2.38.43
BA5.2.43.48
BA5.2.48.55
BA5.2...R
BA5.1.55.70
BA5.1.70.85
BA5.1...R

HEWI Fixing type 5.1.../5.2...

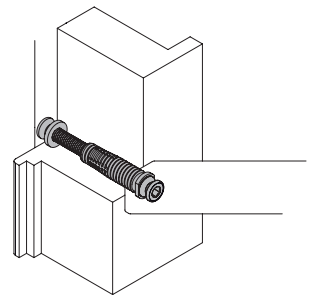
· for double-sided fixing to solid wood, synthetic material and 2 to 3-chamber aluminium sections, fire protection profiles made of steel, stainless steel or aluminium, drill hole in door \varnothing 14 mm

door thickness 38-43 mm
 door thickness 43-48 mm
 door thickness 48-55 mm
 · do., for **pull handle 33.2070S/33.2070BS**

door thickness 55-70 mm
 door thickness 70-85 mm
 · do., for **pull handle 33.2070S/33.2070BS**

Tools required

· open jawed spanner AF13 / AF19
 · hexagonal spanner AF10 and AF6 (at ...R)



BA5.7.38.43R
BA5.7.43.48R
BA5.7.48.55R
BA5.7.55.70R
BA5.7.70.85R

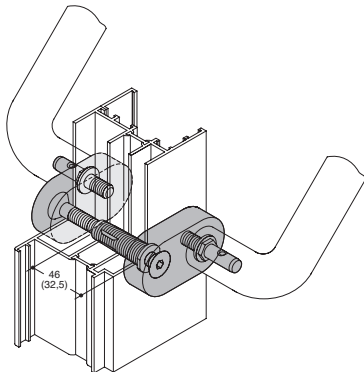
HEWI Fixing type 5.7...R

· for double-sided fixing to solid wood, synthetic material and 2 to 3-chamber aluminium sections, fire protection profiles made of steel, stainless steel or aluminium, drill hole in door \varnothing 12 mm
 · for **pull handle 160X3000G7**

door thickness 38 - 43 mm
 door thickness 43 - 48 mm
 door thickness 48 - 55 mm
 door thickness 55 - 70 mm
 door thickness 70 - 85 mm

Tools required

· open jawed spanner AF13 and hexagonal spanner AF6 / AF8



for pull handles, polyamide
BA5.0.35.40*
BA5.0.40.45*
BA5.0.45.50*
BA5.0.50.55*
BA5.0.55.70*
BA5.0.70.85*

for pull handles, matt polyamide
BA5.0.35.40B*
BA5.0.40.45B*
BA5.0.45.50B*
BA5.0.50.55B*
BA5.0.55.70B*
BA5.0.70.85B*

HEWI Fixing type 5.0...

· for double-sided fixing to solid wood, synthetic material and 2 to 3-chamber aluminium sections, fire protection profiles made of steel, stainless steel or aluminium, drill hole in door \varnothing 14 mm

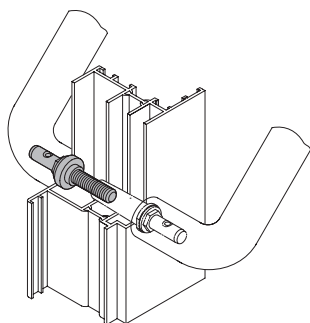
Please advise colour when ordering.*
 Rose fixing: height of handle + 18 mm

A safety distance of 25 mm to the closing edge is ensured according to accident prevention regulations for schools GUV – VS 1 and guidelines for kindergartens – construction and equipment GUV – SR 2002

Tools required

open jawed spanner AF19 and hexagonal spanner AF6 / AF10

door thickness 35-40 mm
 door thickness 40-45 mm
 door thickness 45-50 mm
 door thickness 50-55 mm
 door thickness 55-70 mm
 door thickness 70-85 mm



BA55.70
BA55.70R
BA70.85
BA70.85R

HEWI Upgrade set

· for BA5.1/BA5.1R conversion
 · for double-sided fixing to solid wood, synthetic material and 2 to 3-chamber aluminium sections, fire protection profiles made of steel, stainless steel or aluminium, drill hole in door \varnothing 14 mm

door thickness 55-70 mm
 · do., for **pull handle 33.2070S/33.2070BS**
 door thickness 70-85 mm
 · do., for **pull handle 33.2070S/33.2070BS**

Mounting instructions

· open jawed spanner AF13 and hexagonal spanner AF6 (at ...R)

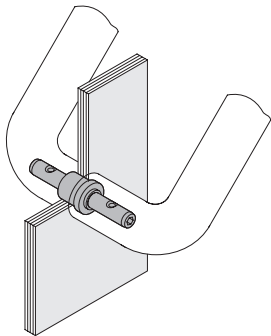
* Available polyamide colours



98* 99 97* 95* 92* 90 *in matt available until 31.03.2025

Item number

Specification



BA8.08.12
BA8.08.12R

HEWI Fixing type 8.08.12 for pull handles made of polyamide

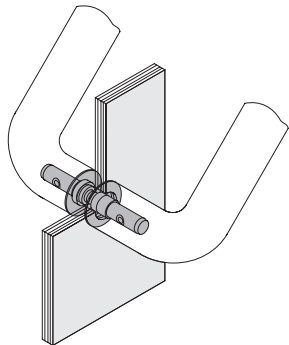
- for double-sided fixing to glass
- drill hole in door \varnothing 18 mm

door thickness 8-12 mm

- do., for **pull handle 33.2070S/33.2070BS**

Tools required

- hexagonal spanner AF6



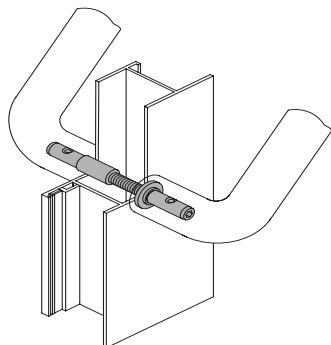
BA8.08.12X

HEWI Fixing type 8.08.12X for pull handles made of st. steel

- for double-sided fixing to glass
- drill hole in door \varnothing 14 mm
- door thickness 8-12 mm
- incl. plain washers \varnothing 25 and \varnothing 30 mm for protection of the glass surface

Tools required

- hexagonal spanner AF6



BA8.12.20
BA8.20.30
BA8.30.40
BA8.40.50
BA8.50.60
BA8.60.70
BA8.70.80
BA8.80.90
BA8...R

HEWI Fixing type 8...

- for double-sided fixing to solid wood, synthetic material, steel and aluminium sections
- drill hole in door \varnothing 12 mm

door thickness 12-20 mm

door thickness 20-30 mm

door thickness 30-40 mm

door thickness 40-50 mm

door thickness 50-60 mm

door thickness 60-70 mm

door thickness 70-80 mm

door thickness 80-90 mm

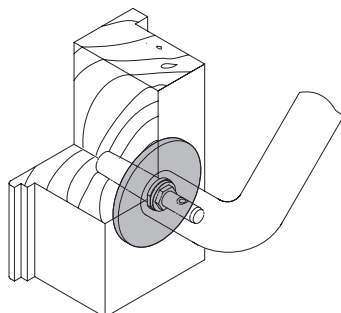
- do., for **pull handle 33.2070S/33.2070BS**

Tools required

- hexagonal spanner AF6

Mounting instructions

can also be used for securing using mortice locks.



505340A

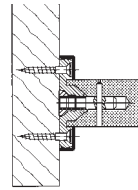
HEWI Renovation solution for stainless steel handles

- disk to cover existing drill holes in the door
- \varnothing 70 mm, 4 mm deep
- made of stainless steel
- supplied without fixing type

Item number

Specification

One-sided installation



HEWI Fixing type 1...PA...

· for one-sided handle fixing from the front with polyamide roses

Not for use with handles with inclined supports. Supplied without \varnothing 6 mm countersunk screws.

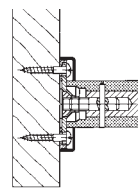
Please advise colour when ordering.*

for pull handles, polyamide
BA1.30PA*
BA1.33PA*
BA1.40PA*

for pull handles, matt polyamide
BA1.30PAB*
BA1.33PAB*

Support	Cap
\varnothing 30 mm	\varnothing 68 mm
\varnothing 33 mm	\varnothing 70 mm
\varnothing 40 mm	\varnothing 80 mm

Rose base	Handle mounting height
polyamide	+ 8 mm
polyamide	+ 6 mm
polyamide	+ 6 mm



HEWI Fixing type 1...STG...

· for one-sided handle fixing from the front with steel rose base and polyamide roses

Not for use with handles with inclined supports. Supplied without \varnothing 6 mm countersunk screws.

Please advise colour when ordering.*

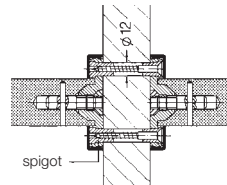
for pull handles, polyamide
BA1.30STG*
BA1.33STG*

for pull handles, matt polyamide
BA1.30STGB*

Support	Cap
\varnothing 30 mm	\varnothing 70 mm separated
\varnothing 33 mm	\varnothing 80 mm separated

Rose base	Handle mounting height
steel	+ 5 mm
steel	+ 5 mm

Installation per pair



HEWI Fixing type 2...PA...

· for double-sided handle fixing from the front with polyamide roses

Not for use with handles with inclined supports. Supplied without fixing material.

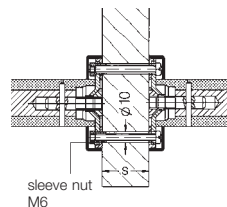
Please advise colour when ordering.*

for pull handles, polyamide
BA2.30PA*
BA2.33PA*
BA2.40PA*

for pull handles, matt polyamide
BA2.30PAB*
BA2.33PAB*

Support	Cap
\varnothing 30 mm	\varnothing 68 mm
\varnothing 33 mm	\varnothing 70 mm
\varnothing 40 mm	\varnothing 80 mm

Rose base	Handle mounting height
polyamide	+ 8 mm
polyamide	+ 6 mm
polyamide	+ 6 mm



HEWI Fixing type 2...STG...

· for double-sided handle fixing from the front with steel rose base and polyamide roses respectively matt polyamide roses

Not for use with handles with inclined supports. Supplied without screws M6.

Please advise colour when ordering.*

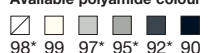
for pull handles, polyamide
BA2.30STG*
BA2.33STG*

for pull handles, matt polyamide
BA2.30STGB*

Support	Cap
\varnothing 30 mm	\varnothing 70 mm separated
\varnothing 33 mm	\varnothing 80 mm separated

Rose base	Handle mounting height
steel	+ 5 mm
steel	+ 5 mm

* Available polyamide colours



98* 99 97* 95* 92* 90 *in matt available until 31.03.2025