

BACKREST RAIL

MOBILE HINGED SUPPORT RAILS

NECESSARY



900.51.901.. | on both sides
900.51.902.. | left
900.51.903.. | right

- c to c 588 - 688 mm adjustable on site
- 150 mm deep
- versions from user's perspective: on both sides, left, right
- backrest made of synthetic material in HEWI colours 98 (signal white), 92 (anthracite grey) or 90 (jet black)
- connection made of stainless steel, optionally satin finish, chrome-plated or powder-coated in 3 colours: AS, ER, CV

900.51.906.. | on both sides
900.51.912.. | left
900.51.913.. | right

- do., for mobile use
- easy installation due to individually mountable stainless steel fixing plates for hanging the rail
- is secured with fastening screw (theft protection)

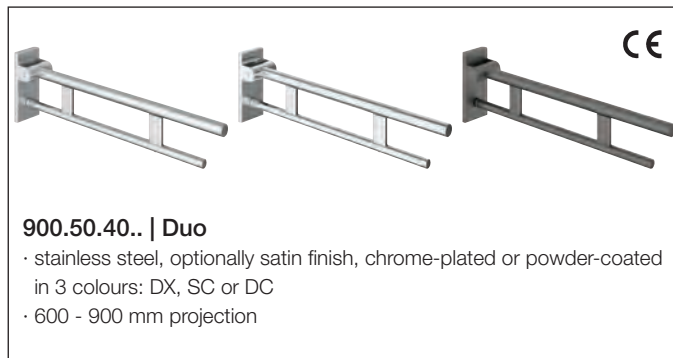
+



900.50.400.. | Mono

- stainless steel, optionally satin finish, chrome-plated or powder-coated in 3 colours: DX, SC or DC
- 600 mm projection

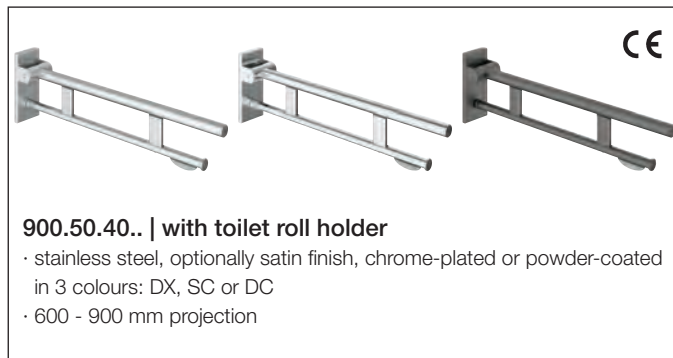
+



900.50.40.. | Duo

- stainless steel, optionally satin finish, chrome-plated or powder-coated in 3 colours: DX, SC or DC
- 600 - 900 mm projection

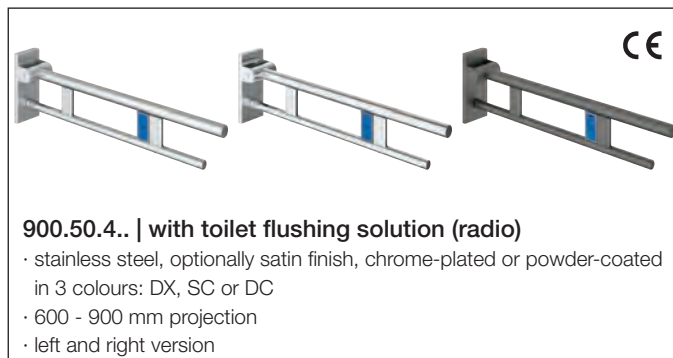
+



900.50.40.. | with toilet roll holder

- stainless steel, optionally satin finish, chrome-plated or powder-coated in 3 colours: DX, SC or DC
- 600 - 900 mm projection

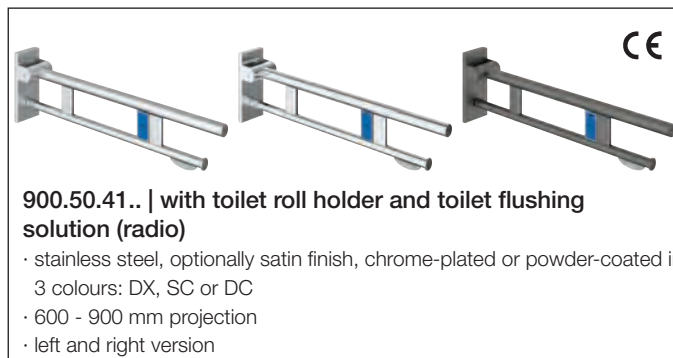
+



900.50.4.. | with toilet flushing solution (radio)

- stainless steel, optionally satin finish, chrome-plated or powder-coated in 3 colours: DX, SC or DC
- 600 - 900 mm projection
- left and right version

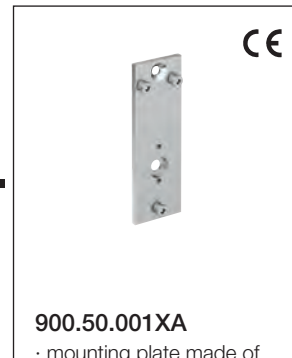
+



900.50.41.. | with toilet roll holder and toilet flushing solution (radio)

- stainless steel, optionally satin finish, chrome-plated or powder-coated in 3 colours: DX, SC or DC
- 600 - 900 mm projection
- left and right version

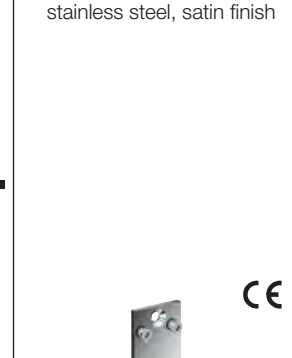
+



900.50.001XA

- mounting plate made of stainless steel, satin finish

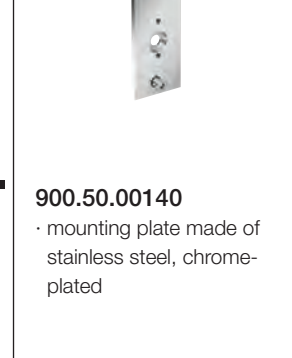
+



900.50.00140

- mounting plate made of stainless steel, chrome-plated

+



900.50.00160

- mounting plate made of stainless steel, powder-coated in 3 colours: DX (matt white), SC (matt dark grey pearl mica) or DC (matt black)

HEWI Powder coating | Material combinations with synthetic material

- ☐ ...60 AS matt white | white synthetic material
- ...60 ER matt dark grey pearl mica | black synthetic material
- ...60 CV matt black | black synthetic material

HEWI Powder coating

- ☐ ...60 DX matt white
- ...60 SC matt dark grey pearl mica
- ...60 DC matt black

OPTIONAL
SEPARATELY OR SET

NECESSARY FOR ALL

OPTIONAL



900.50.002XA

- cover for covering fixed mounting plates
- face plate made of stainless steel, satin finish
- cover frame made of polyamide in HEWI colours 98 (signal white) or 92 (anthracite grey)

OR



900.50.003XA

- set of mounting plate 900.50.001XA and cover 900.50.002XA

CE

+

BM17.2
For fixing on walls made of concrete (> C20/C25)
National technical approval number:
ETA-11/0493

additionally:
injection mortar (HEWI item No.: 200311)
or to be provided on site:
injection mortar HIT-HY200A (Hilti)
extrusion tool HDM (Hilti)

BM10.2
For fixing on walls made of concrete (> C20/C25)

BM11.2
For fixing on walls made of concrete (> P2)

additionally:
injection mortar (HEWI item No.: 200266)
conical drill bit (HEWI item No.: 171041)
or to be provided on site:
injection mortar HIT-HY 270 (Hilti)
extrusion tool HDM (Hilti)
conical drill bit TE-C PB 22/100 (Hilti)

BM12.2
For fixing on lightweight walls with rear lining made of laminated timber boards (with waterproof bonding, at least 30 mm thick required, e.g. studs or prewall installation)

BM13.2
For fixing on lightweight walls with integrated steel plates (e.g. studs or pre wall installation)


BM18.2
For fixing on walls made of:

- solid bricks
- perforated calcium silicate block
- hollow concrete block
- vertically perforated bricks
- hollow lightweight concrete block
- lightweight aggregate concrete with open structure

National technical approval number:
ETA-13/1036

additionally:
injection mortar (HEWI item No.: 200266)
or to be provided on site:
injection mortar HIT-HY 270 (Hilti)
extrusion tool HDM (Hilti)


OPTIONAL



900.50.00240

- cover for covering fixed mounting plates
- face plate made of stainless steel, mirror polished
- cover frame made of polyamide in HEWI colours 98 (signal white) or 92 (anthracite grey)

OR



900.50.00340

- set of mounting plate 900.50.00140 and cover 900.50.00240

CE

+

OPTIONAL



900.50.00260

- cover for covering fixed mounting plates
- face plate made of stainless steel, powder-coated in AS (matt white) or CV (matt black)
- cover frame in matching matt white or matt black

OR



900.50.00360

- set of mounting plate 900.50.00160 and cover 900.50.00260

CE

+