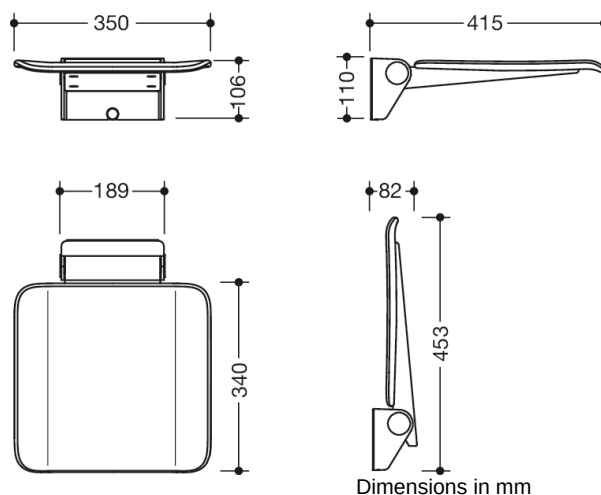




Similar picture



Properties

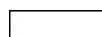

Mobile hinged seat, System 900

- Construction consisting of wall console and continuous seat surface
- anti-slip, textured seat made of synthetic material in HEWI colours 98 (signal white) and 92 (anthracite grey)
- Aluminium seat reinforcement, powder coated in the colour of the seat
- Wall bracket made of high-quality stainless steel, chrome-plated
- Seat can be folded up to save space
- Seat depth when folded up 77 mm
- for mobile use
- for easy and flexible retrofitting on existing, pre-assembled mounting plate: 900.51.00140 (to be ordered separately)
- Quick and tool-free installation by simply attaching the seat
- Secured with fixing screw
- 350 mm wide, 415 mm deep and 112 mm high
- Seat surface 350 mm wide and 340 mm deep
- for mounting with non-corrosive and tested HEWI fixing material for different wall systems (to be ordered separately).
- Sealing tape and sealing rods for sealing the mounting points according to DIN 18534 are included in the delivery
- tested up to 200 kg when used with HEWI fixing material
- Recommended maximum weight of the user: 150 kg

Awards



Colours / Surfaces

-  98 (signal white)
-  92 (anthracite grey)