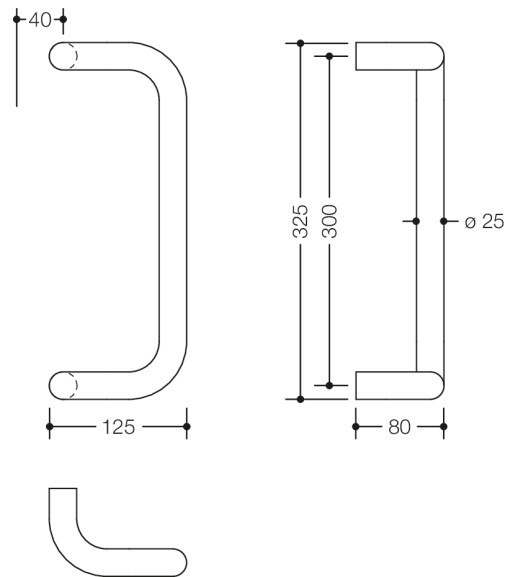




Similar picture

Empfohlener Mindestabstand
zur Schließkante



Dimensions in mm

Properties

Stainless steel pull handle

System 111 made of a tube (1.4301) diameter 25 mm, 1.5 mm thick, for one-sided and paired fixing on glass, wooden, PVC and metal doors (aluminium: 1 to 3-chamber, steel: 1 chamber profiles),

Load bearing capacity under alternating load 100 kg on wooden and metal doors, 50 kg on PVC doors, with 2 fixing points, fixing outside the lock area or within the lock area, as well as fixing through the lock.

L-shaped handle in curved shape, with straight supports, prepared for mounting on leaf doors.

Surface satin finished

centre-to-centre 300 mm