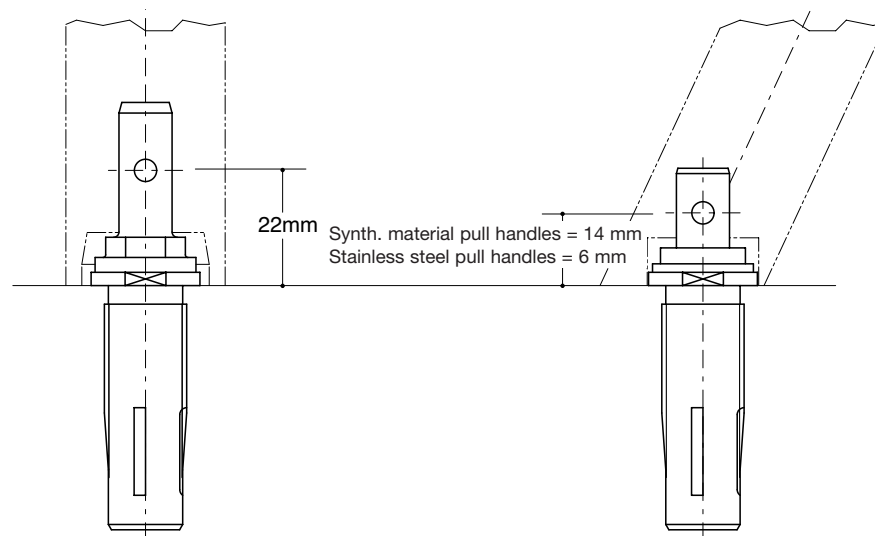


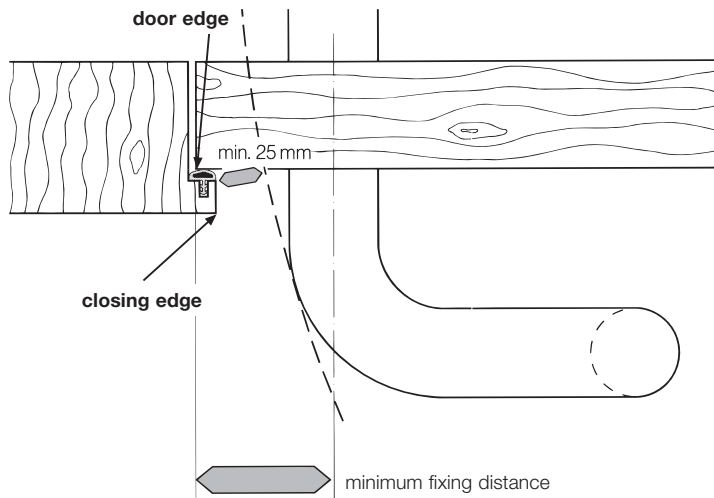
**Information on:**

Pull handles with inclined supports, examples BA5.1 (standard) to BA5.1R (inclined supports).

**Attention:**

There is considerably less space available in the mounting area for handles with inclined supports. Consequently the pin hole for handles with inclined supports is 14 mm for synthetic material pull handles and 6 mm for stainless steel pull handles. Compared to the pin hole for handles with standard supports which is 22 mm. Therefore a shorter special screw is required.

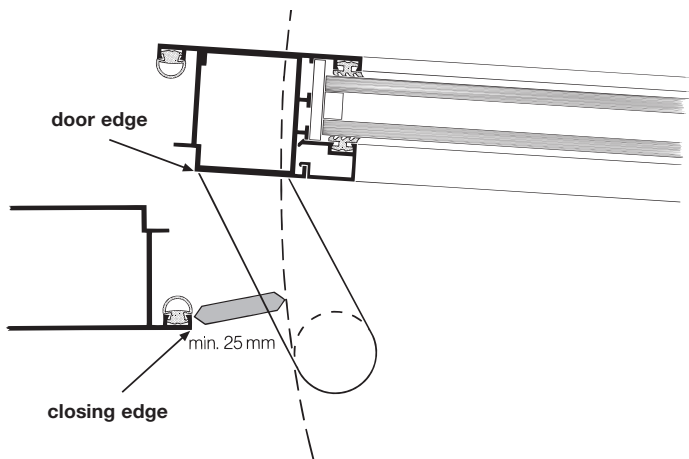
This characteristic is identified in the item numbering by the letter "R" and this additional letter must be quoted when orders are placed, e.g. BA5.1R.



**Safety margin between door handle and closing edge according to DGUV (Deutsche Gesetzliche Unfallversicherung)**

In order to avoid injuries to hands when closing or opening doors, a minimum safety margin of 25 mm between the handle (at gripping height) and closing edge (on the door frame) is necessary (BUK guidelines). The minimum distance between the closing edge and the handle hole stipulated for each handle guarantees observance of the safety margin accident prevention regulations for schools GUV – V S 1 as well as regulations for kindergarten – construction and equipment GUV – SR 2002 and DGUV 102-002.

→ see table next page and product specifications

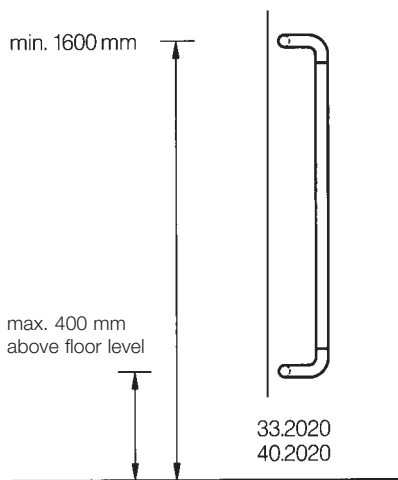


**Particularly suitable for framed doors**

A selection of HEWI handles also offers the safety margin of 25 mm to the closing edge even if they are fixed flush or close to the door / closing edge. These handles are particularly recommended for use in public buildings.

Offers the safety margin of 25 mm to the closing edge according to the safety margin accident prevention regulations for schools GUV – V S 1 as well as regulations for kindergarten – construction and equipment GUV – SR 2002 and DGUV 102-002.

→ see table next page and product specifications



**Reduced minimum fixing distance**

If the mounting points for the handle designs illustrated are located outside the usual gripping heights, the minimum fixing distances stipulated can then be further reduced.

→ see table next page and product specifications

Centre to centre min. fixing distances for pull handles



Minimum fixing distance (closing edge - handle drill hole)	Standard (mm)	with BA 5.0... (mm)
33.2010, 33.2010B	49	20
33.2020	44	20
33.2023	44	
33.2070, 33.2070S	49	20
33.2070S, 33.2070BS	Mounting of handle flush to door/closing edge possible (24 mm)	
40.2010, 40.2010R	55	24
40.2020	48	22
40.2023	48	
550.300GKWL, 550.30BGKWL	43	20
550.33GKLT, 550.33BGKLT	44	20
550.33GKRLT	36	20
550.33GKWL	44	20
550.33KSLT, 550.33BKSLT	54	22
550.33LT, 550.33BLT	49	20
550.40GKLT	47	22
550.40KSLT	54	20
550GKLT, 550.30BGKLT, 550.250GKLT	44	20
550KRLT	63	31
550LT, 550.250LT	48	20
<b>Polyamide</b>		
<b>Stainless steel</b>		
111XA.25...G1	43	
111XA.25...G2, ...G3, ...G4	36	
111XA.30...G1	46	
111XA.30...G3, ...G4	39	
160XA.2500G6	39	
160XA.3000G6	46	
160XA.3000G7	Mounting of handle flush to door/closing edge possible (22 mm)	