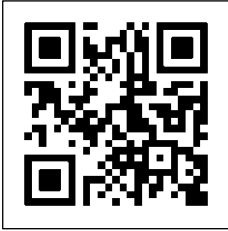


US Installation instructions



Reinigung und Pflege | Care and cleaning | Nettoyage et entretien
Reiniging en onderhoud | Manutenzione e pulizia | Cuidado y limpieza
Czyszczenie i pielęgnacja | Rengøring og pleje

<https://www.hewi.com/de/service/downloads>

Contents

User information	3
Product information	4
Mounting	5
Demounting	10

HEWI support

+1 (917) 734-4112

Intended purpose

The HEWI rail system is designed for use in bathrooms. It provides a gripping option for persons with or without physical disability when they shower or take a bath.

Exclusion of liability

HEWI accepts no liability whatsoever for damage to persons or property that occurs or has occurred as a result of improper mounting or maintenance, particularly if the safety instructions and other points to note listed are not or have not been observed in full. HEWI accepts no liability whatsoever for damage occurring from incorrect cleaning.

Disposal

Disposal of the product and packaging is subject to the relevant national regulations.

Safety instructions

These instructions are intended for qualified skilled personnel and the user of the installed product. Following installation, the instructions must be made available to the user.

- Follow with the installation instructions and instructions for use.
- In case of questions, problems, uncertainties or if damage occurs, contact the HEWI support service.
- Ensure that the product is installed, maintained and repaired by qualified, skilled personnel only.
- Check the product for damage on acceptance. Report defects immediately.
- Install/use the product only:
 - in accordance with its intended purpose
 - in its original condition without modifications
 - in perfect condition
- Use original spare parts only.
- Only use the HEWI fixing materials included.
- Only use in closed rooms.

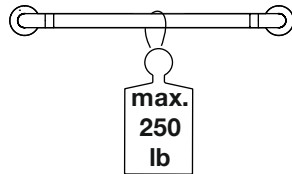


CAUTION!

Observe maximum load.

Exceeding the maximum load of the grab rails may lead to injuries due to falling.

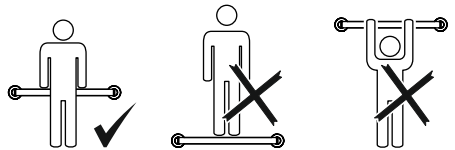
Ensure that the wall structure and fixings are able to permanently bear the expected load.



CAUTION!

Ensure that grab rails are only used for support.

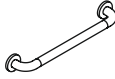
Any improper use, e.g. for climbing or pull-up exercises, may lead to injuries due to slipping or falling.



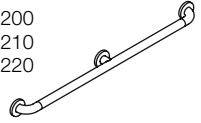
Product information



801.35US100



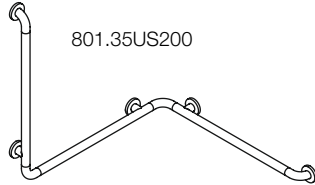
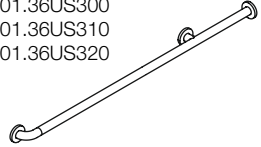
801.36US200
801.36US210
801.36US220



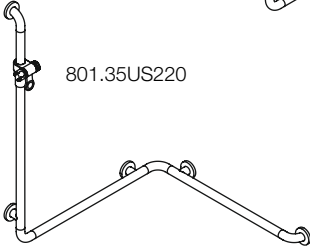
801.35US110
801.35US120

801.36US100
801.36US110
801.36US120
801.36US130
801.36US140
801.36US150
801.36US160
B801.003
B801.004

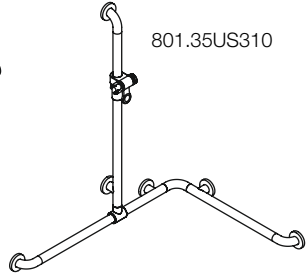
801.36US300
801.36US310
801.36US320



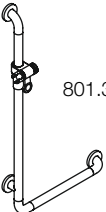
801.35US200



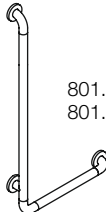
801.35US220



801.35US310



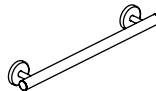
801.33US200



801.22US100
801.22US110

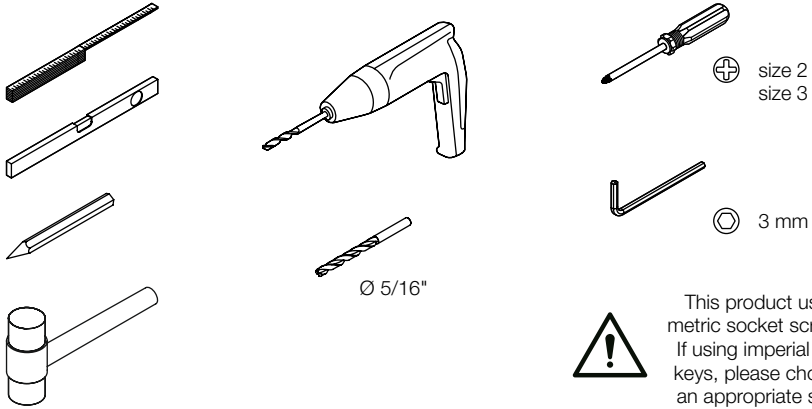


801.33US100
B801.010



950.36US1190
950.36US1390
950.36US1490
950.36US1590

Tools required



This product uses metric socket screws. If using imperial hex keys, please choose an appropriate size.

Wood blocking

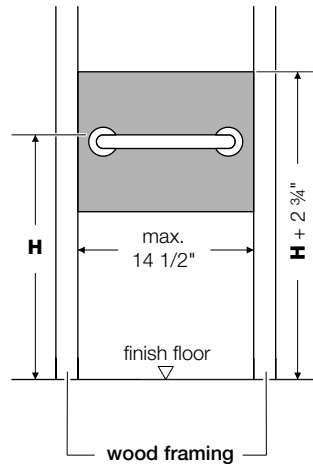
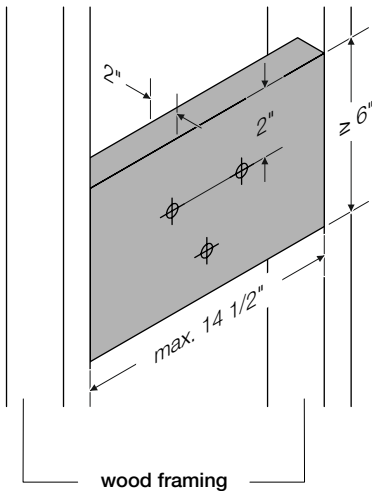
NOTE: Wood-frame construction walls must be appropriately backed using wood blocking.

H = 33-36"

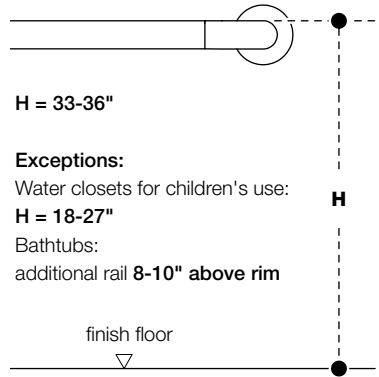
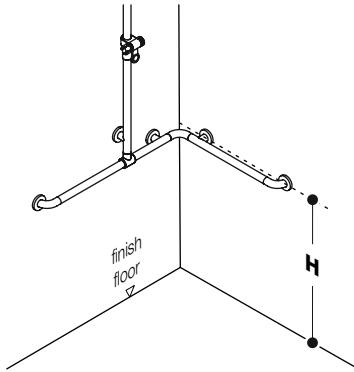
Exceptions:

Water closets for children's use:
H = 18-27"

Bathtubs:
 additional rail **8-10" above rim**



Mounting information



H = 33-36"

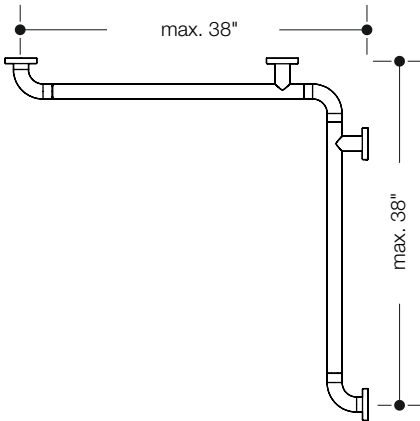
Exceptions:

Water closets for children's use:

H = 18-27"

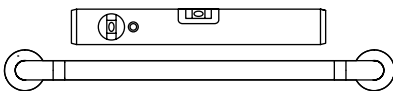
Bathtubs:

additional rail **8-10" above rim**



CAUTION!

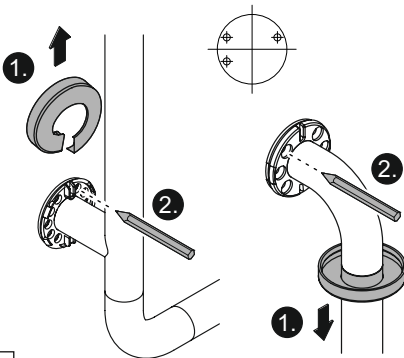
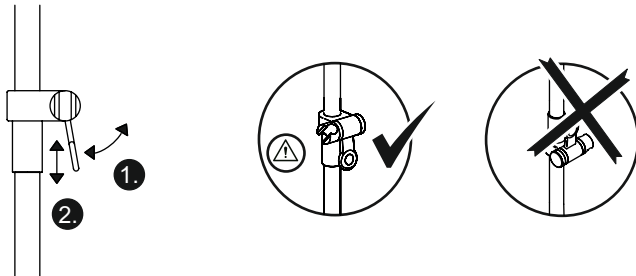
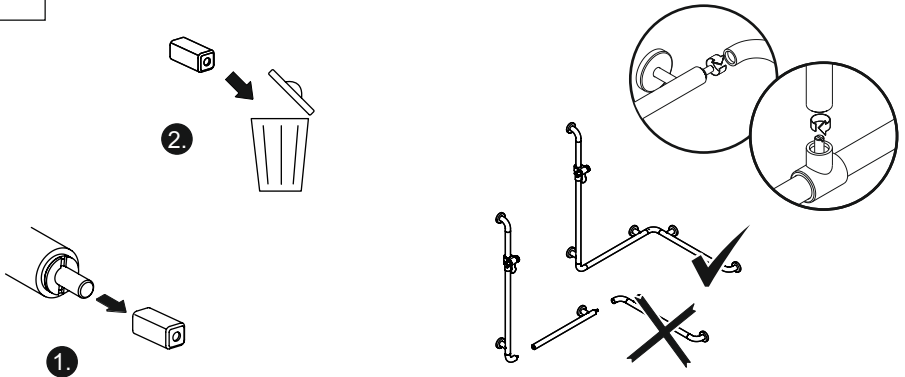
Too wide support spacings will reduce the stability of the grab rail and wall supports and may lead to injuries due to falling. Observe maximum support spacings.



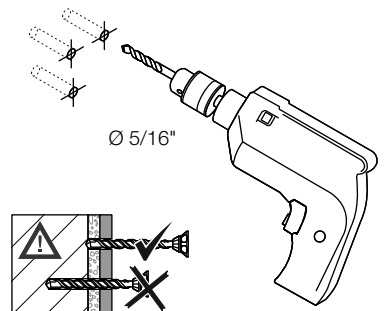
CAUTION!

Ensure that grab rails are installed horizontally. Grab rails installed in any other than a horizontal position may lead to injuries due to slipping or falling.

Range 801

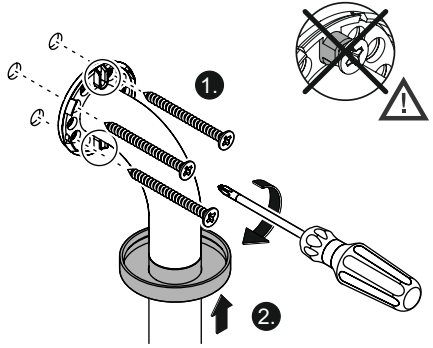
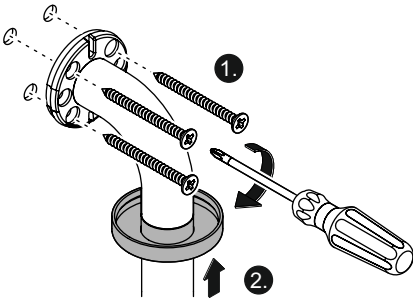


1

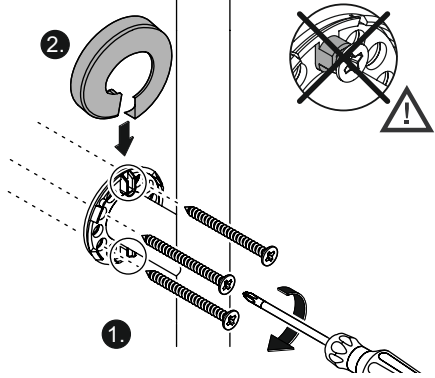
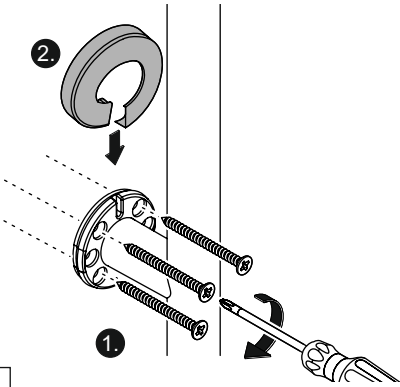


2

Mounting

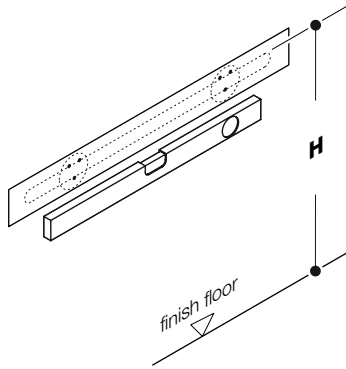


3

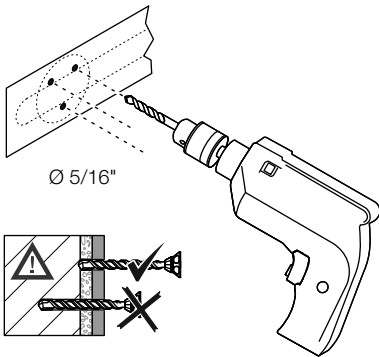


4

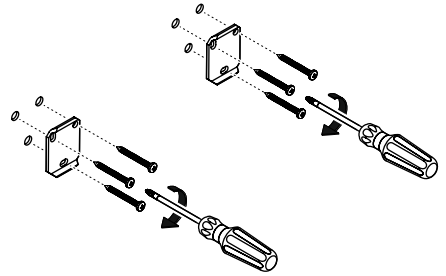
Range 950



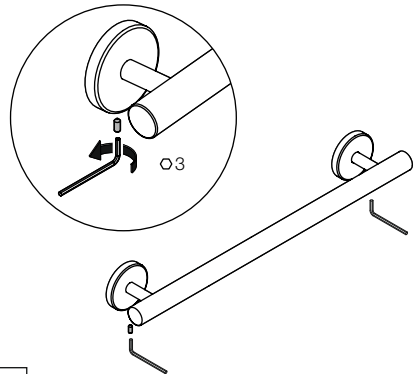
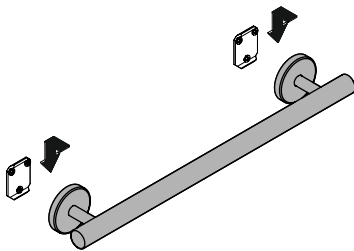
1



2



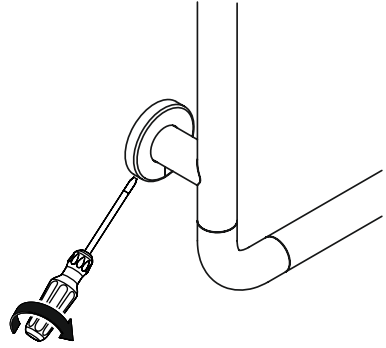
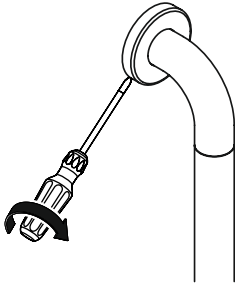
3



4

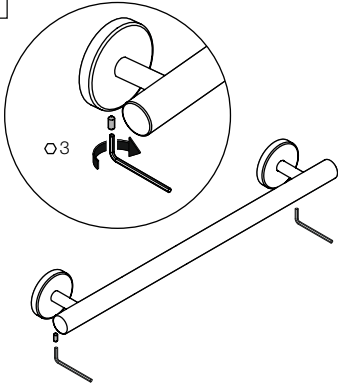
Demounting

Range 801

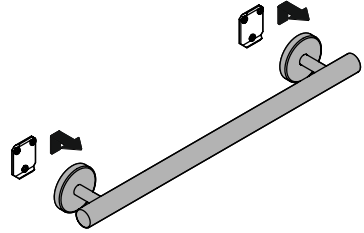


1

Range 950



1



2

HEWI

www.hewi.com



GERMANY

HEWI Heinrich Wilke GmbH

Prof.-Bier-Straße 1-5

D-34442 Bad Arolsen

Phone: +49 5691 82-0

Fax: +49 5691 82-319

international@hewi.de



M8010.05US

2024/09