

HEWI Ordering aid | Height-adjustable plate

NECESSARY FOR HEIGHT-ADJUSTABLE PLATE

HEIGHT-ADJUSTABLE PLATE

NECESSARY FOR MOBILE HINGED SUPPORT RAILS

BM27.4

For fixing on walls made of concrete (> C20/C25)
National technical approval number: ETA-11/0493

additionally:

injection mortar (HEWI item No.: 200311)

or to be provided on site:

injection mortar HIT-HY200A (Hilti)

extrusion tool HDM (Hilti)

BM20.4

For fixing on walls made of concrete (> C20/C25)

BM21.4

For fixing on walls made of autoclaved aerated concrete (> P2)

additionally:

injection mortar (HEWI item No.: 200266),

conical drill bit (HEWI item No.: 171041)

or to be provided on site:

injection mortar HIT-HY 270 (Hilti)

extrusion tool HDM (Hilti)

conical drill bit TE-C PB 22/100 (Hilti)

BM22.4

For fixing on lightweight walls with rear lining made of laminated timber boards (with waterproof bonding, at least 30 mm thick required, e.g. studs or prewall installation)

BM23.4

For fixing on lightweight walls with integrated steel plates (e.g. studs or pre wall installation)

BM28.4

For fixing on walls:

with mesh sleeve ø 18 mm

- hollow concrete block
 - vertically perforated bricks
 - hollow lightweight concrete block
 - lightweight aggregate concrete with open structure
- National technical approval number: ETA-13/1036

without mesh sleeve

- solid bricks
 - perforated calcium silicate block
- National technical approval number: ETA-13/1036

additionally:

injection mortar (HEWI item No.: 200266)

or to be provided on site:

injection mortar HIT-HY 270 (Hilti)

extrusion tool HDM (Hilti)



950.50.10260

- height adjustment, in order to be able to adapt the required support height to the user
- made of aluminium powder-coated in HEWI colours DX (matt signal white) and FV (matt pure white)



900.50.001XA | 900.50.00140
900.50.00160 | 900.50.00170*

· **only** for mobile hinged support rails



950.50.016 | 950.50.01660

· **only** for mobile hinged support rails



950.50.016

· **only** for mobile hinged support rails

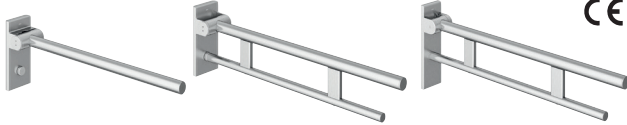


802.50.001XA

· **only** for mobile hinged support rails

**HINGED SUPPORT RAILS |
MOBILE HINGED SUPPORT RAILS**

OPTIONAL UPGRADE PRODUCTS




900.50...* | Mono and Duo | Design A and B

- stainless steel, optionally satin finish, chrome-plated, powder-coated in 3 colours or PVD-coated
- projection Mono: 600 mm
- projection Duo: 600, 700, 750, 850, 900 mm

900.50.4...* | Mono and Duo | Design A, mobile

- do., projection Mono: 600 mm
- projection Duo: 600, 700, 750, 850, 900 mm



805.50...0
805.50...1 | mobile

- stainless steel, optionally satin finish or powder-coated in DX (matt white) or DC (matt black)
- projection: 600, 700, 850, 900 mm | 850 mm (powder-coated)

805.50...060
805.50...160 | mobile


for stainless steel, satin finish, powder coating

805.50.015
805.50B015

- upgrade kit toilet roll holder

805.50.060
805.50B060

- upgrade kit WC flushing mechanism (radio-controlled)



801.50...0
801.50...7 | mobile

- made of polyamide in 14 HEWI colours, in 5 matt HEWI colours or made of active antimicrobial microsilver, in HEWI colour 98 (signal white)
- projection: 600, 700, 750, 850, 900 mm


for polyamide glossy, matt edition, active+

801.50.011
801.50B011
801.50D011 ⊕

- upgrade kit toilet roll holder

801.50.060
801.50B060
801.50D060 ⊕

- upgrade kit WC flushing mechanism (radio-controlled)



802.50.4... | Basic and Premium | mobile

- cantilever arm made of aluminium, powder-coated in HEWI colours glossy signal white or glossy anthracite, grip pad made of synthetic material matt signal white or matt anthracite
- projection: 600, 700, 750, 850, 900 mm

for Basic and Premium

802.50.01160

- upgrade kit toilet roll holder

802.50.06260, left | 802.50.06360, right

- upgrade kit WC flushing mechanism (radio-controlled)

from a length of 700 mm:

802.50.01360

- upgrade kit shelf

802.50.01260

- upgrade kit walking aid holder

HEWI Powder coating

- **...60 DX** matt white
- **...60 SC** matt dark grey pearl mica
- **...60 DC** matt black

HEWI PVD-coating

- **...70 CK** brass glossy
- **...70 LP** brass brushed
- **...70 WR** nickel brushed
- **...70 SV** bronze brushed

*** HEWI PVD-coating | delivery time 12 weeks**

- **...70 UN** bronze glossy
- **...70 DP** copper glossy
- **...70 RB** copper brushed
- **...70 BZ** gold glossy
- **...70 VT** gold brushed
- **...70 JL** nickel glossy