

BACKREST RAILS

MOBILE HINGED SUPPORT RAILS

NECESSARY



900.51.901.. | on both sides  
900.51.902.. | left  
900.51.903.. | right

- c to c 588 - 688 mm adjustable on site
- 150 mm deep
- versions from user's perspective: on both sides, left, right
- backrest made of synthetic material in HEWI colours 98 (signal white), 92 (anthracite grey) or 90 (jet black)
- connection made of stainless steel, optionally satin finish, chrome-plated, powder-coated in 3 colours or PVD-coated in 4 surfaces

900.51.906.. | on both sides  
900.51.912.. | left  
900.51.913.. | right

- do., for mobile use
- easy installation due to individually mountable stainless steel fixing plates for hanging the rail
- is secured with fastening screw (theft protection)

+

+

+

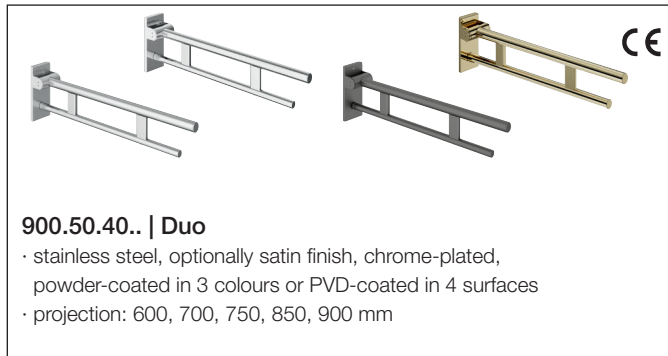
+

+



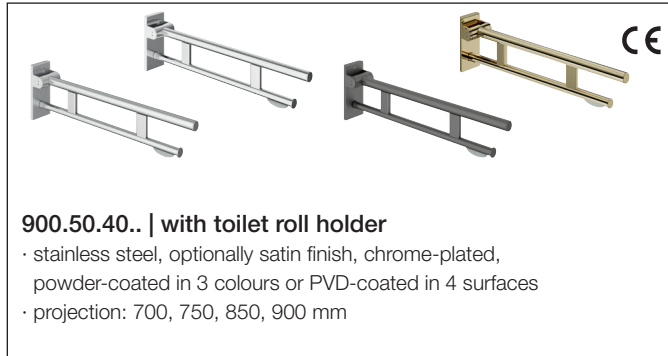
900.50.400.. | Mono

- stainless steel, optionally satin finish, chrome-plated, powder-coated in 3 colours or PVD-coated in 4 surfaces
- projection: 600 mm



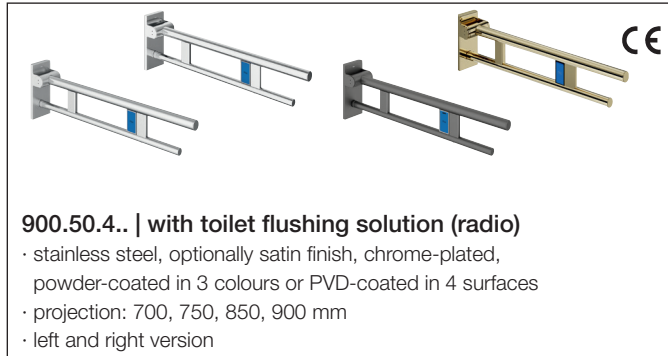
900.50.40.. | Duo

- stainless steel, optionally satin finish, chrome-plated, powder-coated in 3 colours or PVD-coated in 4 surfaces
- projection: 600, 700, 750, 850, 900 mm



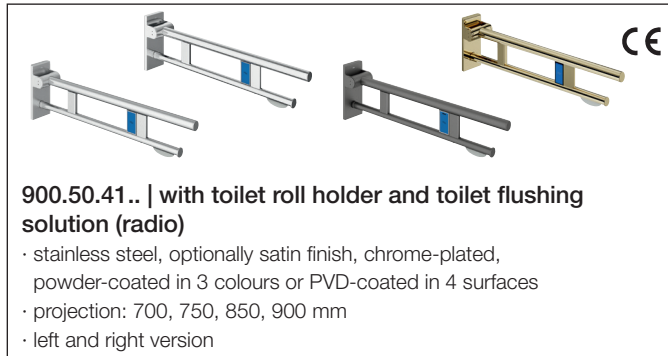
900.50.40.. | with toilet roll holder

- stainless steel, optionally satin finish, chrome-plated, powder-coated in 3 colours or PVD-coated in 4 surfaces
- projection: 700, 750, 850, 900 mm



900.50.4.. | with toilet flushing solution (radio)

- stainless steel, optionally satin finish, chrome-plated, powder-coated in 3 colours or PVD-coated in 4 surfaces
- projection: 700, 750, 850, 900 mm
- left and right version



900.50.41.. | with toilet roll holder and toilet flushing solution (radio)

- stainless steel, optionally satin finish, chrome-plated, powder-coated in 3 colours or PVD-coated in 4 surfaces
- projection: 700, 750, 850, 900 mm
- left and right version

+

+

+

+

+



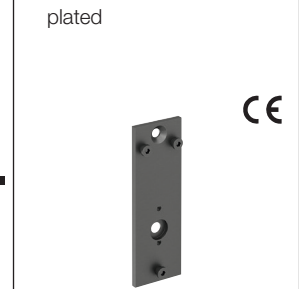
900.50.001XA

- mounting plate made of stainless steel, satin finish



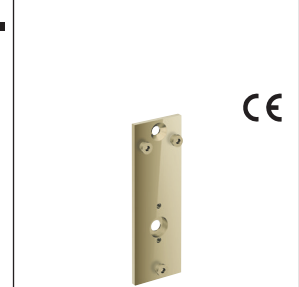
900.50.00140

- mounting plate made of stainless steel, chrome-plated



900.50.00160

- mounting plate made of stainless steel, powder-coated in 3 colours: DX (matt white), SC (matt dark grey pearl mica) or DC (matt black)



900.50.00170

- mounting plate made of stainless steel, PVD-coated in CK (brass glossy), LP (brass brushed), WR (nickel brushed), EC (black chrome glossy)

HEWI Powder coating | Material combinations with synthetic material

- ☐ ...60 AS matt white | white synthetic material
- ...60 ER matt dark grey pearl mica | black synthetic material
- ...60 CV matt black | black synthetic material

HEWI Powder coating

- ☐ ...60 DX matt white
- ...60 SC matt dark grey pearl mica
- ...60 DC matt black

HEWI PVD-coating

- ...70 CK brass glossy
- ...70 LP brass brushed
- ...70 WR nickel brushed
- ...70 EC black chrome glossy

**OPTIONAL  
SEPARATELY OR SET**

**NECESSARY FOR ALL**

OPTIONAL



**900.50.002XA**

- cover for covering fixed mounting plates
- face plate made of stainless steel, satin finish
- cover frame made of polyamide in HEWI colours 98 (signal white) or 92 (anthracite grey)

OR




**900.50.003XA**

- set of mounting plate 900.50.001XA and cover 900.50.002XA

CE

+


OPTIONAL



**900.50.00240**

- cover for covering fixed mounting plates
- face plate made of stainless steel, mirror polished
- cover frame made of polyamide in HEWI colours 98 (signal white) or 92 (anthracite grey)

OR



**900.50.00340**

- set of mounting plate 900.50.00140 and cover 900.50.00240

CE

+

OPTIONAL



**900.50.00260**

- cover for covering fixed mounting plates
- face plate made of stainless steel, powder-coated in AS (matt white) or CV (matt black)
- cover frame in matching matt white or matt black

OR



**900.50.00370**

- set of mounting plate 900.50.00170 with white cover

**900.50.00570**

- with black cover

CE

+

**BM17.2**

For fixing on walls made of concrete (> C20/C25)  
National technical approval number: ETA-11/0493

additionally:

injection mortar (HEWI item No.: 200311)

or to be provided on site:

injection mortar HIT-HY200A (Hilti)

extrusion tool HDM (Hilti)

**BM10.2**

For fixing on walls made of concrete (> C20/C25)

**BM11.2**

For fixing on walls made of autoclaved aerated concrete (> P2)

additionally:

injection mortar (HEWI item No.: 200266)

conical drill bit (HEWI item No.: 171041)

or to be provided on site:

injection mortar HIT-HY 270 (Hilti)

extrusion tool HDM (Hilti)

conical drill bit TE-C PB 22/100 (Hilti)

**BM12.2**

For fixing on lightweight walls with rear lining made of laminated timber boards (with waterproof bonding, at least 30 mm thick required, e.g. studs or prewall installation)

**BM13.2**

For fixing on lightweight walls with integrated steel plates (e.g. studs or pre wall installation)

**BM18.2**

For fixing on walls made of:

- solid bricks
- perforated calcium silicate block
- hollow concrete block
- vertically perforated bricks
- hollow lightweight concrete block
- lightweight aggregate concrete with open structure

National technical approval number: ETA-13/1036

additionally:

injection mortar (HEWI item No.: 200266)

or to be provided on site:

injection mortar HIT-HY 270 (Hilti)

extrusion tool HDM (Hilti)