



Podobne zdjęcie

### Właściwości

Stainless steel pull handle

System 111 made of a tube (1.4301) diameter 30 mm, 1.5 thick, for one-sided and paired fixing on glass, wooden, PVC and metal doors (aluminium: 1 to 3-chamber, steel: 1 chamber profiles),

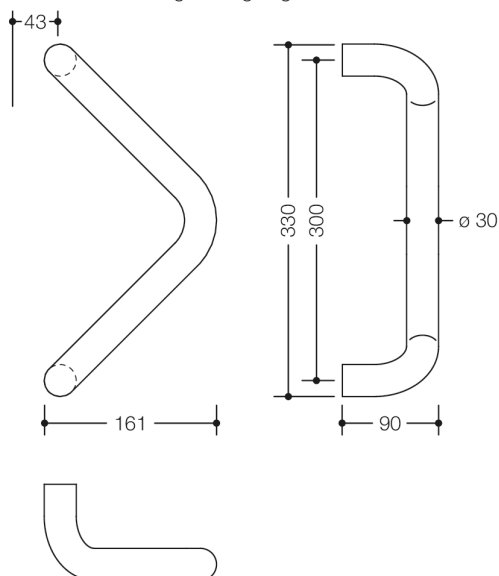
Load bearing capacity under alternating load 100 kg on wooden and metal doors, 50 kg on PVC doors, with 2 fixing points, fixing outside the lock area or within the lock area, as well as fixing through the lock.

Handle in a curved shape with open angle - 90 degrees, with straight return, prepared for mounting on leaf doors.

Surface satin finished

centre-to-centre 300 mm

Recommended minimum  
clearance to closing/locking edge



Wymiary w mm