

Ordering aid

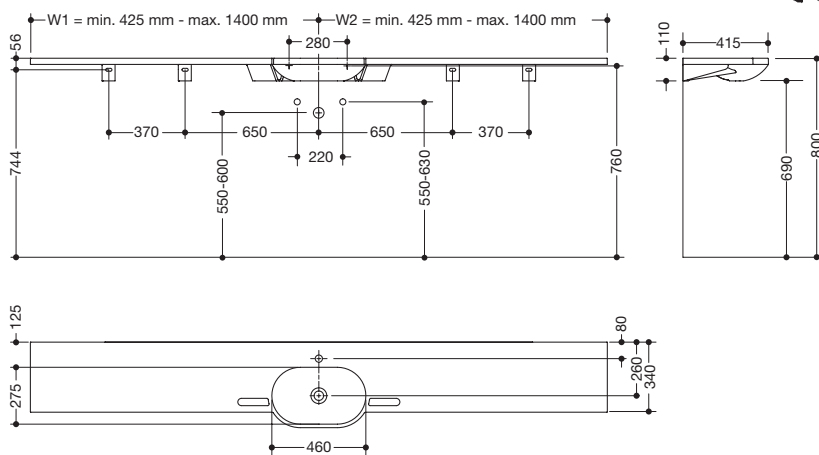
Washbasins made to measure

HEWI



Item Number

Dimensions in mm / Specification



HEWI Washbasin, variable length

- with generously sized shelf and oval basin, without overflow
- alpine white, made of mineral composite with non-porous surface
- base length: 850 mm, extendable to a total length of up to 2800 mm, 415 mm deep, wash trough depth 90 mm
- millimetre-precision production, asymmetrical extensions possible*
- integrated gripping feature, can be used as a towel holder
- wheelchair accessible
- loading capacity to EN 14688
- for hanger bolt fixing
- incl. appropriate number of necessary supports:
 - form W1/W2 = 710 mm: one support
 - form W1/W2 = 1080 mm: two supports
- prepared for single hole mixer tap
- without tape hole (for wall-mounted fittings)

950.11.201S
950.11.200S

All HEWI variable length washbasins are individually made to the dimensions specified by the customer and therefore cannot be exchanged or returned!

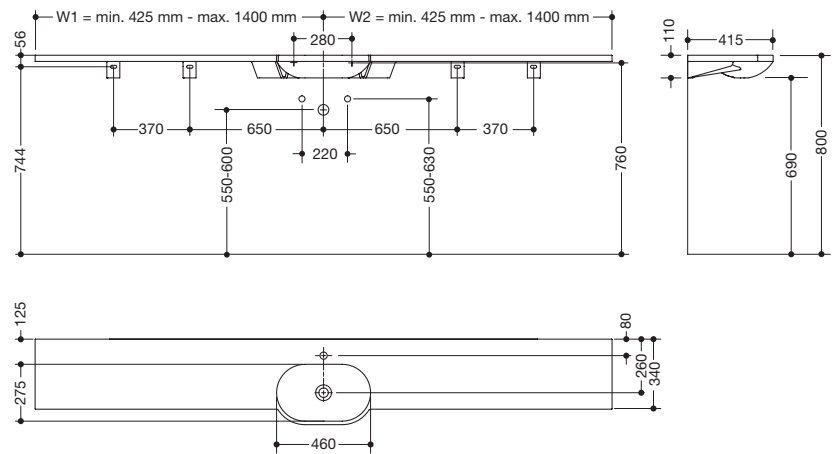
W1 in mm	W2 in mm					
	425 - 549	550 - 709	710 - 899	900 - 1079	1080 - 1149	1150 - 1400
425 - 549						
550 - 709						
710 - 899						
900 - 1079						
1080 - 1149						
1150 - 1400						

Mineral composite

* Manufacturing tolerances of up to - 0.4 % of the total basin length possible.

Item Number

Dimensions in mm / Specification



HEWI Washbasin, variable length

- with generously sized shelf and oval basin, without overflow
- alpine white, made of mineral composite with non-porous surface
- base length: 850 mm, extendable to a total length of up to 2800 mm, 415 mm deep, wash trough depth 90 mm
- millimetre-precision production, asymmetrical extensions possible*
- wheelchair accessible
- loading capacity to EN 14688
- for hanger bolt fixing
- incl. appropriate number of necessary supports:
 form W1/W2 = 710 mm: one support
 form W1/W2 = 1080 mm: two supports
- prepared for single hole mixer tap
- without tape hole (for wall-mounted fittings)

950.11.221S
950.11.220S

All HEWI variable length washbasins are individually made to the dimensions specified by the customer and therefore cannot be exchanged or returned!

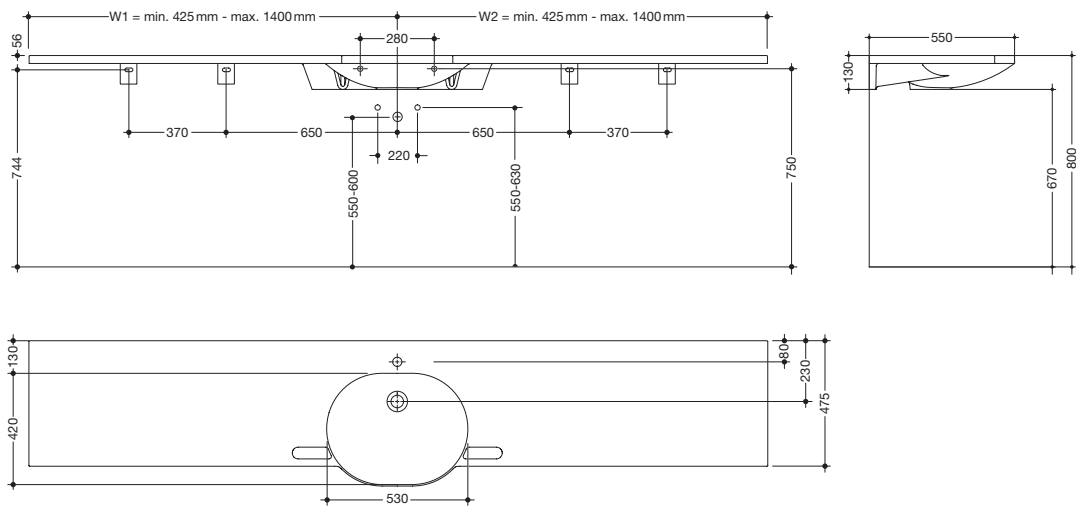
W1 in mm	W2 in mm					
	425 - 549	550 - 709	710 - 899	900 - 1079	1080 - 1149	1150 - 1400
425 - 549						
550 - 709						
710 - 899						
900 - 1079						
1080 - 1149						
1150 - 1400						

Mineral composite

*Manufacturing tolerances of up to - 0.4 % of the total basin length possible.

Item Number

Dimensions in mm / Specification



HEWI Washbasin, variable length

- with generously sized shelf and oval basin, without overflow
- alpine white, made of mineral composite with non-porous surface
- base length: 850 mm, extendable to a total length of up to 2800 mm, 550 mm deep, wash trough depth 110 mm
- millimetre-precision production, asymmetrical extensions possible*
- integrated gripping feature, can be used as a towel holder
- wheelchair accessible to DIN 18040 and ÖNORM B 1600/1601
- loading capacity to EN 14688
- for hanger bolt fixing
- incl. appropriate number of necessary supports:
 - form W1/W2 = 710 mm: one support
 - form W1/W2 = 1080 mm: two supports
- prepared for single hole mixer tap
- without tape hole (for wall-mounted fittings)

950.11.601S
950.11.600S

All HEWI variable length washbasins are individually made to the dimensions specified by the customer and therefore cannot be exchanged or returned!

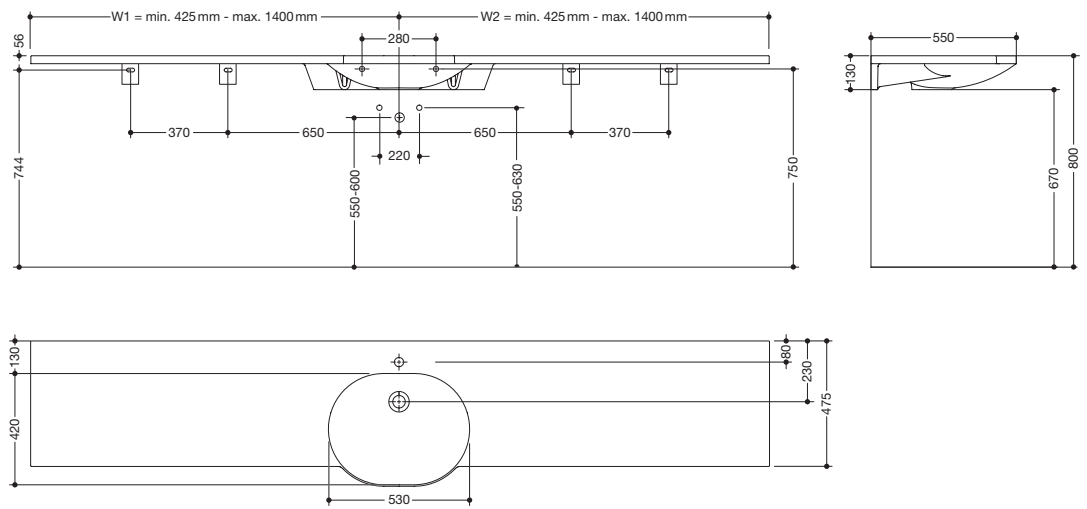
W1 in mm	W2 in mm					
	425 - 549	550 - 709	710 - 899	900 - 1079	1080 - 1149	1150 - 1400
425 - 549						
550 - 709						
710 - 899						
900 - 1079						
1080 - 1149						
1150 - 1400						

Mineral composite

*Manufacturing tolerances of up to - 0.4 % of the total basin length possible.

Item Number

Dimensions in mm / Specification



HEWI Washbasin, variable length

- with generously sized shelf and oval basin, without overflow
- alpine white, made of mineral composite with non-porous surface
- base length: 850 mm, extendable to a total length of up to 2800 mm, 550 mm deep, wash trough depth 110 mm
- millimetre-precision production, asymmetrical extensions possible*
- wheelchair accessible to DIN 18040 and ÖNORM B 1600/1601
- loading capacity to EN 14688
- for hanger bolt fixing
- incl. appropriate number of necessary supports:
 form W1/W2 = 710 mm: one support
 form W1/W2 = 1080 mm: two supports
- prepared for single hole mixer tap
- without tape hole (for wall-mounted fittings)

950.11.621S
950.11.620S

All HEWI variable length washbasins are individually made to the dimensions specified by the customer and therefore cannot be exchanged or returned!

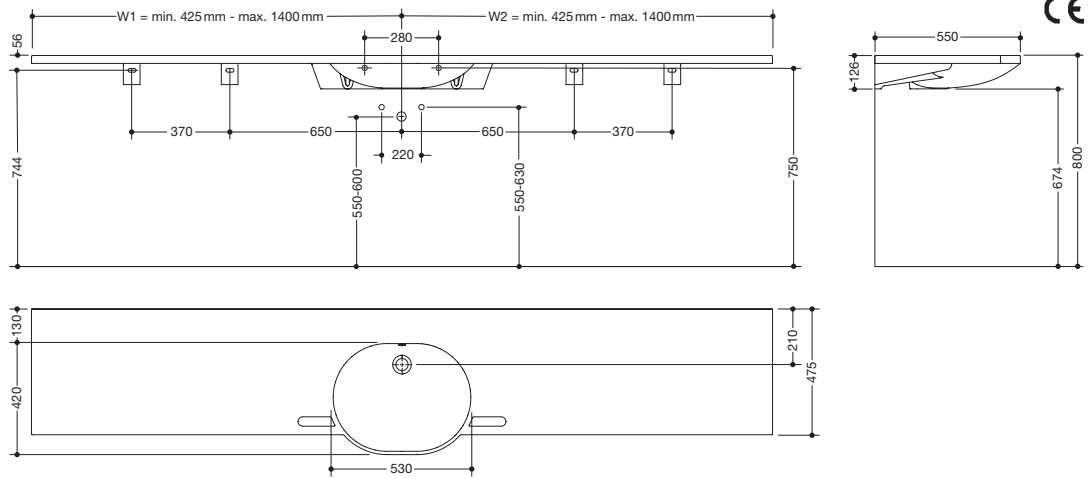
W1 in mm	W2 in mm					
	425 - 549	550 - 709	710 - 899	900 - 1079	1080 - 1149	1150 - 1400
425 - 549						
550 - 709						
710 - 899						
900 - 1079						
1080 - 1149						
1150 - 1400						

Mineral composite

*Manufacturing tolerances of up to - 0.4 % of the total basin length possible.

Item Number

Dimensions in mm / Specification



HEWI Washbasin, variable length

- with generously sized shelf and oval basin
- alpine white, made of mineral composite with non-porous surface
- base length: 850 mm, extendable to a total length of up to 2800 mm, 550 mm deep, wash trough depth 110 mm
- millimetre-precision production, asymmetrical extensions possible*
- integrated gripping feature on the side, can be used as a towel holder
- includes overflow with rose and cover
- overflow can be replaced and renewed if necessary
- overflow is mounted between drain and siphon under the washbasin, 25 mm high, \varnothing 70 mm
- wheelchair accessible to DIN 18040 and ÖNORM B 1600/1601
- for hanger bolt fixing, loading capacity to EN 14688
- incl. appropriate number of necessary supports:
 - from W1/W2 = 710 mm: one support
 - from W1/W2 = 1080 mm: two supports
- prepared for single hole mixer tap
- without tape hole (for wall-mounted fittings)

950.11.604S
950.11.603S

All HEWI variable length washbasins are individually made to the dimensions specified by the customer and therefore cannot be exchanged or returned!

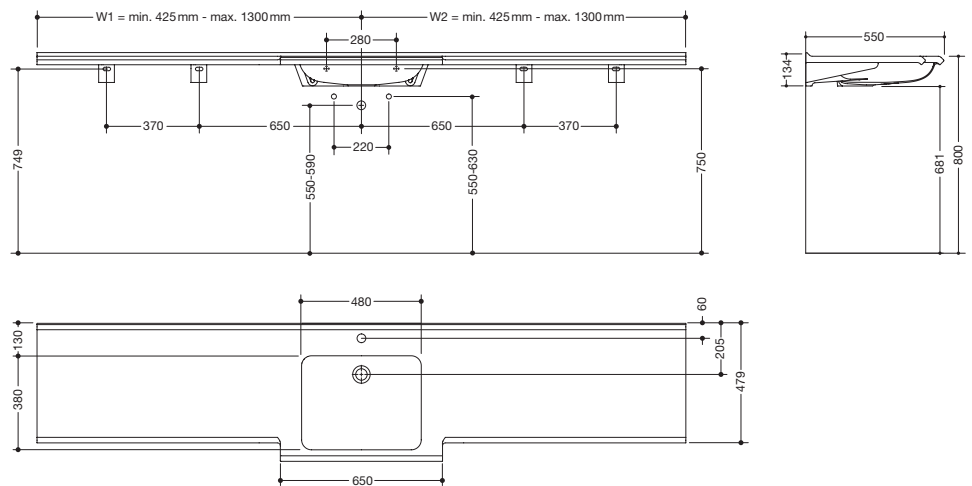
W1 in mm	W2 in mm					
	425 - 549	550 - 709	710 - 899	900 - 1079	1080 - 1149	1150 - 1400
425 - 549						
550 - 709						
710 - 899						
900 - 1079						
1080 - 1149						
1150 - 1400						

Mineral composite

*Manufacturing tolerances of up to - 0.4 % of the total basin length possible.

Item Number

Dimensions in mm / Specification



HEWI Washbasin, variable length

- modular washbasin system: adaptive additional functions can be extended or removed
 - with shelf and deep rectangular basin with generous radii
 - with gushing edge to wall
 - without overflow
 - alpine white, made of mineral composite with non-porous surface
 - base length: 850 mm, extendable to a total length of up to 2600 mm, 550 mm deep, wash trough depth 100 mm
 - wheelchair accessible to DIN 18040 and ÖNORM B 1600/1601
 - loading capacity to EN 14688
 - for hanger bolt fixing
 - incl. appropriate number of necessary supports
- 950.13.201S**
950.13.200S
- prepared for single hole mixer tap
 - without tape hole (for wall-mounted fittings)



HEWI Washbasin, variable length

- do., includes overflow with rose and cover
 - overflow can be replaced and renewed if necessary
 - overflow is mounted between drain and siphon under the washbasin, 25 mm high, ø 70 mm
- 950.13.203S**
950.13.202S
- prepared for single hole mixer tap
 - without tape hole (for wall-mounted fittings)

All HEWI variable length washbasins are individually made to the dimensions specified by the customer and therefore cannot be exchanged or returned!

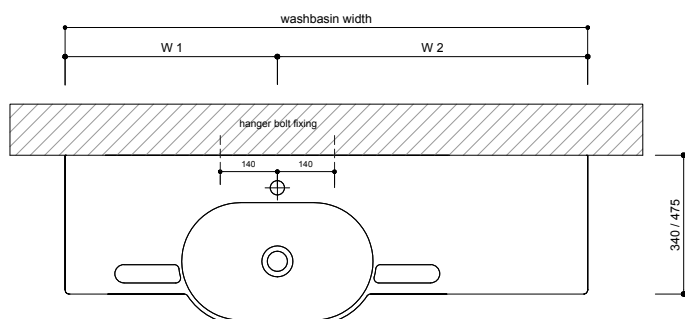
W1 in mm	W2 in mm					
	425 - 549	550 - 709	710 - 899	900 - 1079	1080 - 1149	1150 - 1300
425 - 549						
550 - 709						
710 - 899						
900 - 1079						
1080 - 1149						
1150 - 1300						

Mineral composite

*Manufacturing tolerances of up to - 0.4 % of the total basin length possible.

POSSIBLE INSTALLATION SITUATIONS | ORDERING INSTRUCTIONS

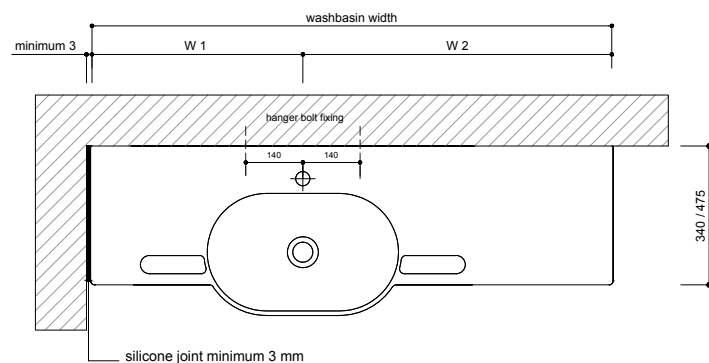
Freely on the wall



1. Measure the precise dimensions of the wall at the installation height of the washbasin after the wall surface has been finished.
2. Check the wall for unevenness.
3. Define the side washbasin projections W1 and W2

Attention:
 minimum dimension W1/W2 = 425 mm,
 maximum dimension W1/W2 = 1400 mm (1300 mm f 950.13...S)

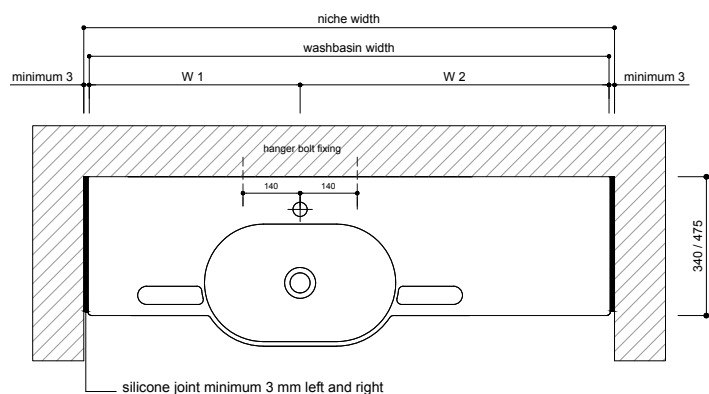
One-sided on the wall



1. Measure the precise dimensions of the wall at the installation height of the washbasin after the wall surface has been finished.
2. Check the wall for unevenness.
3. Check whether the solid angle is 90°.
4. Define the side washbasin projections W1 and W2

Attention:
 minimum dimension W1/W2 = 425 mm,
 maximum dimension W1/W2 = 1400 mm (1300 mm f 950.13...S)
 Please note that a silicone joint at the side of at least 3 mm will be required.

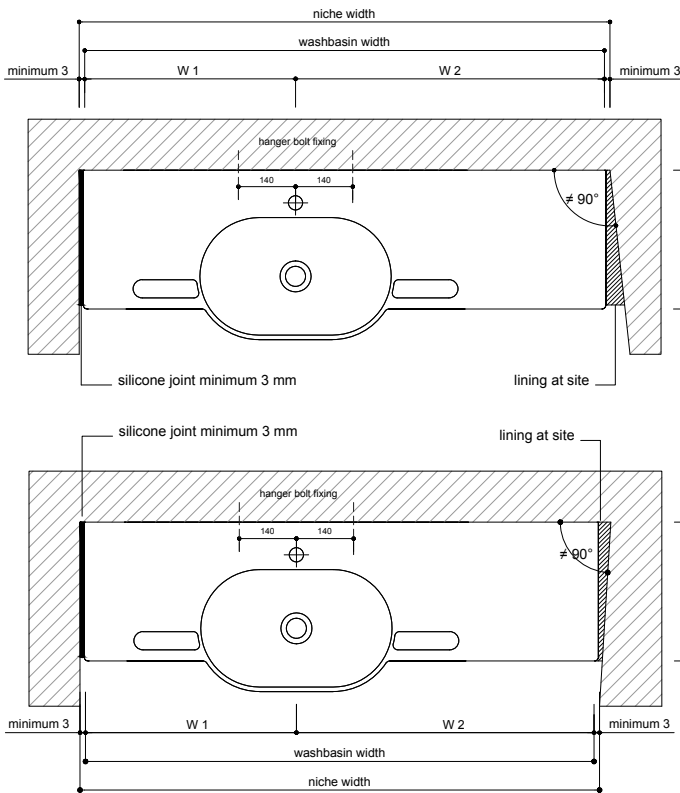
Niche



1. Measure the precise dimensions of the niche at the installation height of the washbasin after the wall surface has been finished.
2. Check the wall for unevenness.
3. Check whether the niche angles are each 90°.
4. Define the side washbasin projections W1 and W2

Attention:
 minimum dimension W1/W2 = 425 mm,
 maximum dimension W1/W2 = 1400 mm (1300 mm f 950.13...S)
 Please note that a silicone joint of at least 3 mm will be required on each side.

Niche, not right-angled

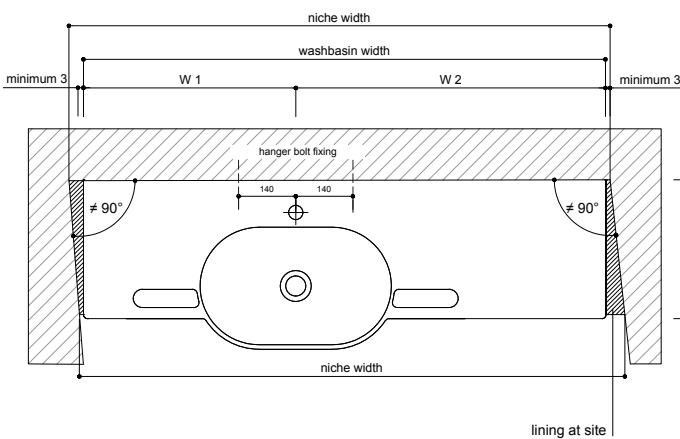


1. Measure the precise dimensions of the wall at the installation height of the washbasin after the wall surface has been finished.
2. Check the wall for unevenness.
3. If the niche angle is not 90°, line on site to form 90°.
4. Define the side washbasin projections W1 and W2

Attention:

minimum dimension W1/W2 = 425 mm,
 maximum dimension W1/W2 = 1400 mm (1300 mm f 950.13...S)
 Please note that a silicone joint of at least 3 mm will be required on each side.

Niche, not right-angled

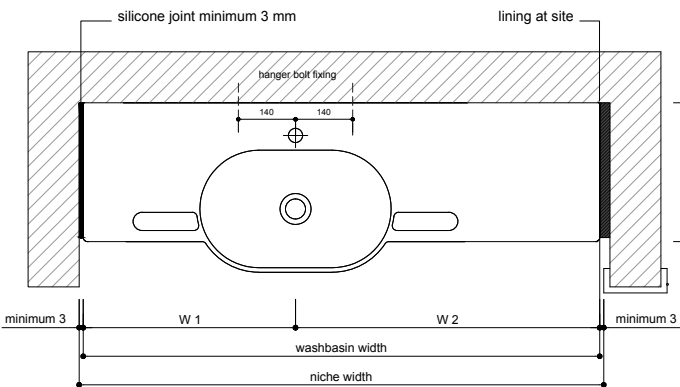


1. Measure the precise dimensions of the wall at the installation height of the washbasin and the installation depth (340 mm) after the wall surface has been finished.
2. Check the wall for unevenness.
3. If the niche angle is not 90°, line on site to form 90°.
4. Define the side washbasin projections W1 and W2

Attention:

minimum dimension W1/W2 = 425 mm,
 maximum dimension W1/W2 = 1400 mm (1300 mm f 950.13...S)
 Please note that a silicone joint of at least 3 mm will be required on each side.

Niche | Door lining



1. Measure the precise dimensions of the wall at the installation height of the washbasin after the wall surface has been finished.
2. Check the wall for unevenness.
3. Check whether the niche angles are each 90°. If door lining cannot be removed for installation of the washbasin
4. Determine the niche width (taking into account doorframe)
5. Define the side washbasin projections W1 and W2

Attention:

minimum dimension W1/W2 = 425 mm,
 maximum dimension W1/W2 = 1400 mm (1300 mm f 950.13...S)
 Please note that a silicone joint of at least 3 mm will be required on each side.

MATERIAL

Cast mineral is a high-quality and extremely stable composite material. It consists of approx. 80% natural minerals (e.g. marble powder or sandstone/quartz sand) which are bonded with customised resins. This material is surrounded by a colouring resin layer.

The high-quality HEWI cast mineral washbasins have dimensions intrinsic to the mould (i.e. depend on a single mould) and can be made from one casting up to a length of 2800 mm. Subsequent adjustments are therefore not possible.

All HEWI variable length washbasins are individually made to the dimensions specified by the customer and can therefore not be exchanged or returned.

SCOPE OF SUPPLY

Included in the scope of supply:

- Appropriate number of required supports:
 - one support is required from a length of $W1/W2 = 710$ mm
 - two supports are required for a length of $W1/W2 = 1080$ mm
- HEWI specific fixing material for fixing the supports on the washbasin

Not included in the scope of supply:

- Fixing material for the washbasin wall fixing (hanger bolt fixing)
- Fixing material for the support wall fixings (hanger bolt fixing)

INSTALLATION

- The washbasins may only be installed by persons who are familiar with installing the product and have appropriate qualifications to do the work
- The wall of the installation area must be flat, firm and capable of taking the load
- The washbasins are intended for installation with a hanger bolt (hanger bolts are not included in the scope of supply)
- Loading capacity to EN 14688 up to 150 kg

CLEANING AND MAINTENANCE

- For cleaning we recommend the usual, non-scouring or abrasive cleaning products, e.g. Pril, Ajax glass cleaner, Frosch vinegar-based and citrus cleaner
- Remove any dirt that occurs immediately if possible. We recommend using a clean, damp and soft all-purpose or sponge cloth and hand-hot water. Cleaning products are then often not necessary. Please then rub dry
- Spilt, aggressive substances should be removed immediately
- The washbasins are resistant to most chemicals. This does not include highly concentrated acids and lyes
- Protect the mineral composite surfaces from extreme light and heavy, sharp-edged, scratching and hot, caustic, acidic objects
- Ensure that the water temperature does not exceed 65°C
- Use a fine-grained polishing paste (e.g. car polish) for special care of washbasins made of mineral composite

(filled in by customer)

COMPANY:**CONTACT:****DATE:****SIGNATURE:**

(filled in by HEWI's customer service)

ORDER NUMBER:**OFFICIAL IN CHARGE:****DATE OF DELIVERY:**

(filled in by HEWI's customer service)

DATE OF DELIVERY:**DATE OF ORDER:****ITEM NUMBER:****ITEM NUMBER**

950.11.200S for wall-mounted fittings
950.11.201S for single hole mixer tap
950.11.220S for wall-mounted fittings
950.11.221S for single hole mixer tap

950.11.600S for wall-mounted fittings
950.11.603S dto., with overflow
950.11.601S for single hole mixer tap
950.11.604S dto., with overflow
950.11.620S for wall-mounted fittings
950.11.621S for single hole mixer tap

ORDER INSTRUCTIONS

- Precise measurement of the wall at the installation height of the washbasin is necessary after the wall surface has been finished
- Check the wall for unevenness
- Check whether the niche angles are 90°
- Define the side washbasin projections W1 and W2

Attention:

- minimum dimension W1/W2 = 425 mm, maximum dimension W1/W2 = 1400 mm
- Please note that a niche installation situation will require a silicone joint at the side of at least 3 mm
- Please take into account the notes on the example installation situations

We need the following details for your order: (filled in by customer)

ITEM NUMBER	
QUANTITY	
W1 (425 – 1400 mm) in mm	
W2 (425 – 1400 mm) in mm	

ITEM NUMBER

950.13.200S for wall-mounted fittings
950.13.202S dto., with overflow
950.13.201S for single hole mixer tap
950.13.203S dto., with overflow

ORDER INSTRUCTIONS

- Precise measurement of the wall at the installation height of the washbasin is necessary after the wall surface has been finished
- Check the wall for unevenness
- Check whether the niche angles are 90°
- Define the side washbasin projections W1 and W2

Attention:

- minimum dimension W1/W2 = 425 mm, maximum dimension W1/W2 = 1300 mm
- Please note that a niche installation situation will require a silicone joint at the side of at least 3 mm
- Please take into account the notes on the example installation situations

We need the following details for your order: (filled in by customer)

ITEM NUMBER	
QUANTITY	
W1 (425 – 1300 mm) in mm	
W2 (425 – 1300 mm) in mm	

HEWI

GERMANY

HEWI Heinrich Wilke GmbH
Postfach 1260
34442 Bad Arolsen
Tel.: +49 5691 82-0
Fax: +49 5691 82-319
international@hewi.com

UNITED KINGDOM

HEWI (UK) Limited
Holm Oak Barn, Beluncle Halt
Stoke Road, Hoo
Rochester, Kent ME3 9NT
Phone: +44 1634 258200
Fax: +44 1634 250099
info@hewi.co.uk
www.hewi.co.uk

www.hewi.com