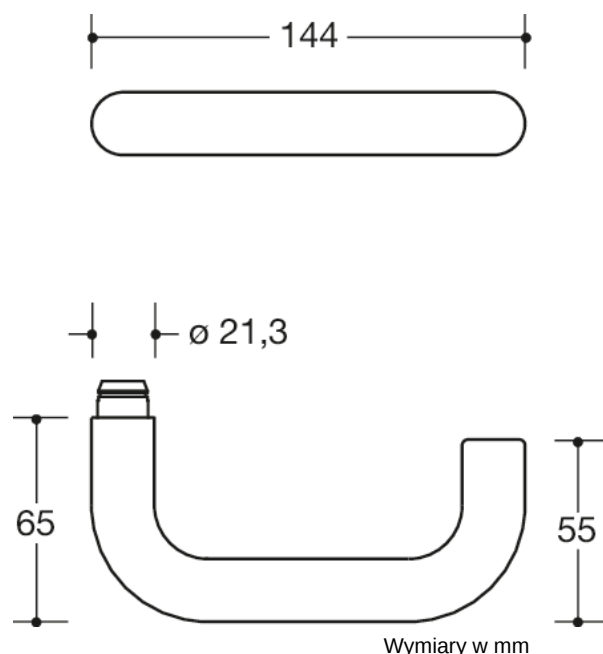




Podobne zdjęcie



Właściwości

Counter fitting for panic bar 111XAH17.150

in H-technology with backplates according to DIN 18255 and EN 1906 made of stainless steel, consisting of:
Lever handle 111X... made of stainless steel tube (1.4301), diameter 21.3 mm with 1.5 mm wall thickness, with stepped shoulder guide and groove, with set screw M5 as additional fixing of lever and spindle, for optimal transfer of force to door leaf.

The lever handle meets the standards of EN 179 and DIN 18040.

Installed by simply latching the lever handle into the base parts preassembled on the door. The latching can be released using the dismantling tool.

backplate 219.21X... Composite synthetic material and steel backplate substructure with black zinc/nickel surface for optimum corrosion protection, fixed rotating bearing of the lever handle with automatically latching all-round locking and 5 mm journal as maintenance-free plain bearing with elastic compensating area and second journal in the neck of the lever handle. Concealed, non-loosening screwed joint with M5 stainless steel screws sleeve-screw combination as well as the pivot disappearing into the door leaf, additional blind plate for paired mounting with the panic bar on the hinge side

Backplate cap made of stainless steel (1.4301), 33 x 203 mm, 10.5 mm high, 1.5 mm wall thickness.

Surface satin finished

Designed and tested for the projects segment, user category to EN 1906 - Class 4 fire door fitting with spindle 9 mm, according to DIN 18273

user category: Class 4

Durability: Class 7

Door weight: No classification specified

Fire resistance: Class B1

Safety: Class 1

Corrosion resistance: Class 4

Burglary protection: Class 0

Design-type: U

Wyróżnienia



Certyfikaty



Zastrzega się możliwość wprowadzania zmian technicznych, 03.01.2024