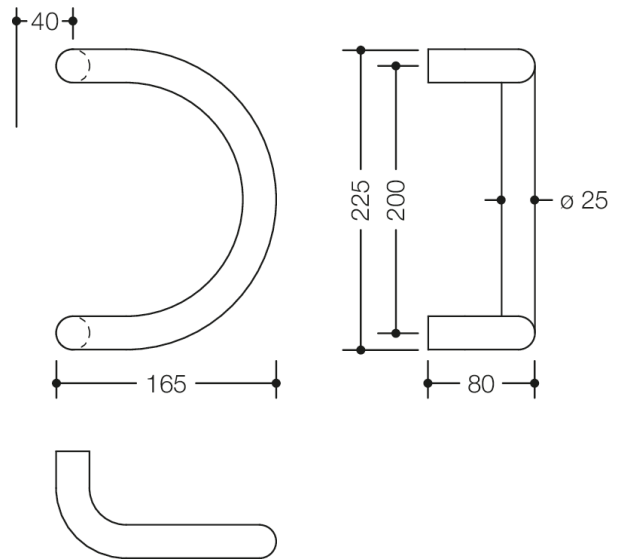




Podobne zdjęcie

Empfohlener Mindestabstand  
zur Schließkante



Wymiary w mm

### Właściwości

Stainless steel pull handle

System 111 made of a tube (1.4301) diameter 25 mm, 1.5 mm thick, for one-sided and paired fixing on glass, wooden, PVC and metal doors (aluminium: 1 to 3-chamber, steel: 1 chamber profiles),

Load bearing capacity under alternating load 100 kg on wooden and metal doors, 50 kg on PVC doors, with 2 fixing points, fixing outside the lock area or within the lock area, as well as fixing through the lock.

Half round handle in curved shape, with straight supports, prepared for mounting on leaf doors.

Surface satin finished

centre-to-centre 200 mm