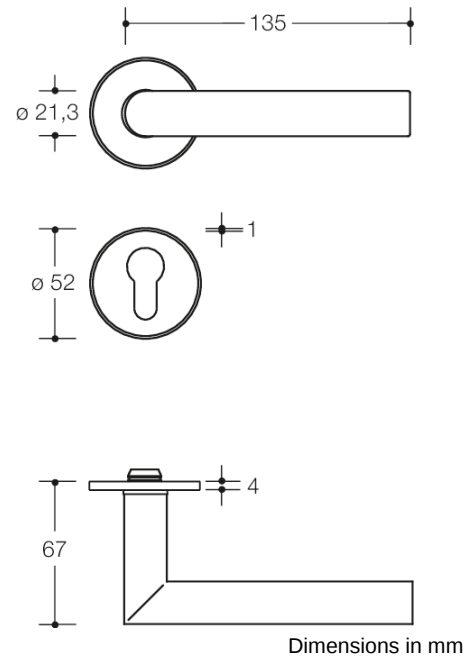


Similar picture



Properties

Standard door fitting with escutcheons

Flat roses according to DIN 18255 and EN 1906 and inlay made of polyamide, consisting of:

Lever handle design 162.21P... in mitre cut made of polyamide, with continuous steel core up to the end of the lever handle, through-dyed, 21.3 mm diameter, with stepped shoulder guide and latching groove, with grubscrew M5, for additional fixing of the door lever handle on the square spindle, for optimal transfer of force to door leaf. Flat lever rose and escutcheon, 305... and 306.23VI..., round, diameter 52 mm, 4.0 mm high. Concealed, non-loosening connection: Fixed rotating bearing of the lever handle and the roses, and in the door leaf dipping support pin. Easy and fast assembly, through preassembled assemblies.

Rose material made of stainless steel (1.4301) in PVD-coating, rose inserts made of polyamide high-gloss
Designed and tested for the projects segment, user category to EN 1906 - Class 4

Durability: Class 7

Door weight: No classification specified

Fire resistance: Class 0

Safety: Class 1

Corrosion resistance: Class 4

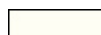
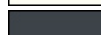

Burglary protection: Class 0

Design-type: U

Awards



Colours / Surfaces

	99 (pure white)
	92 (anthracite grey)
	90 (jet black)