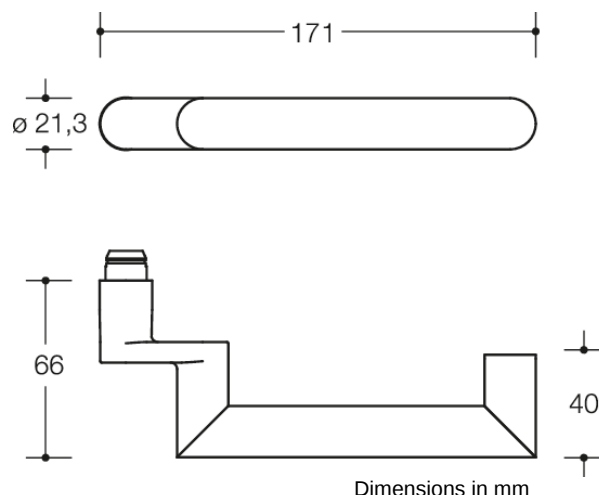




Similar picture



Properties

Fire door entrance set

in R-technology with roses according to DIN 18255 and EN 1906 made of polyamide, high gloss surface, consisting of:

Knob model 123.23R made of polyamide and lever handle model 166.21P... in mitre cut, made of polyamide with continuous steel core into the end of the lever handle, solid colour, diameter 21.3 mm, with stepped shoulder guide and groove, easily installed by latching the lever handle into the base parts pre-mounted on the door. The lever handle fulfils the guidelines of the German Federal Association of Accident Insurers Bundesverbandes der Unfallkassen e. V." - BUK (safety margin to closing edge 25 mm).

The latching can be released using the dismantling tool. The lever handle meets the standards of EN 179.

Roses: model 315.21R... and 316RFS, rose substructure made of synthetic material-stainless steel composite, can be used for left or right-hand opening doors. Fixed rotating bearing of the lever handle with automatically latching all-round locking and 5 mm journal as maintenance-free plain bearing with elastic compensating area and second journal in the neck of the lever handle. Concealed, non-loosening screwed joint.

Rose cover cap, oval, made of high-quality polyamide, solid colour, 31 x 72 mm, 10 mm high, 1.5 mm wall thickness.

Designed and tested for contract use, category of use according to EN 1906 - Class 4 fire door set with square spindle 9 mm, according to DIN 18273

Category of use: Class 4

Durability: Class 7

Door mass: No classification specified

Fire resistance: Class D1

Security: Class 1

Corrosion resistance: Class 5

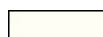
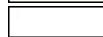


Anti-burglar protection: Class 0


Design type: U

Certificates



Colours / Surfaces

	99 (pure white)
	98 (signal white)
	92 (anthracite grey)
	90 (jet black)

	86 (sand)
	84 (umber)

Technical information subject to alteration, 23.12.2023