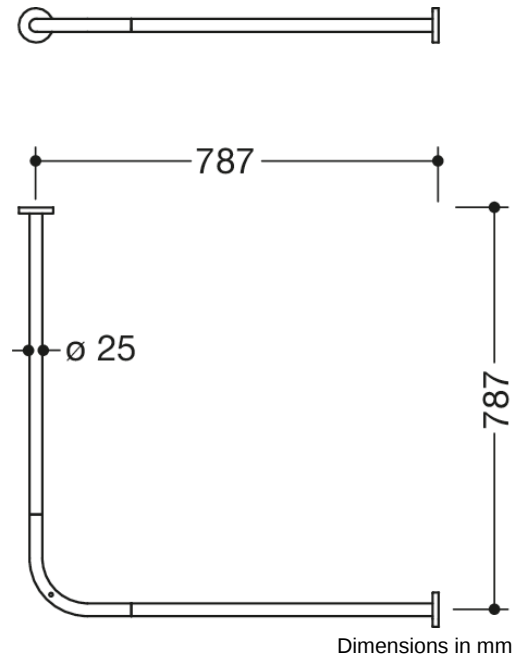




Similar picture



Properties

Curtain rail, System 900

- horizontally arranged rails connected at right-angles, with curtain rings
- made of high-quality stainless steel, satin
- for shower tray 800 x 800 mm
- fixing spacing 787 x 787 mm
- with 16 curtain rings made of white POM
- recommended curtain width 2300 mm
- rail diameter 25 mm, rose diameter 70 mm
- can be shortened at the ends on site to 320 mm
- fixing with roses to wall and ceiling, ceiling support required
- including non-corrosive and tested HEWI fixing material and sealing tape for sealing the drilling points

Awards

