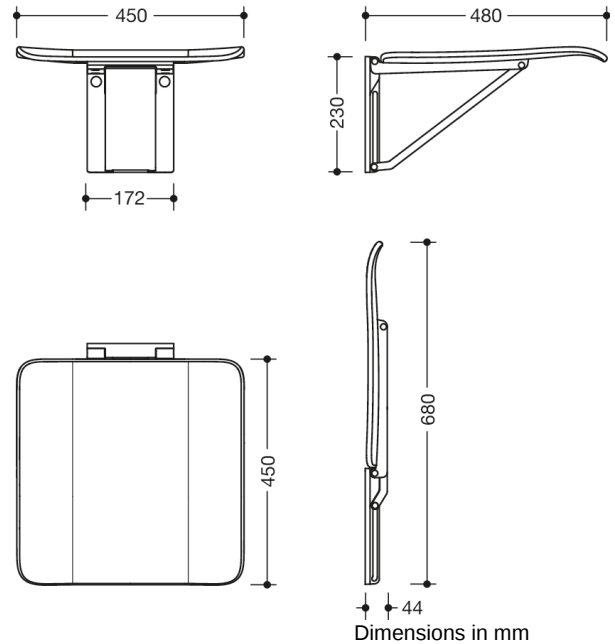




Similar picture






Properties

Fold-away seat with wall bracket, System 900

- construction consisting of wall bracket, bar, seat bracket and seat surface
- anti-slip, textured synthetic seat surface in HEWI colours 98 (signal white), 92 (anthracite grey) and 90 (jet black)
- wall bracket and bracket made of high-quality plastic in HEWI colours 98 (signal white), 92 (anthracite grey) and 90 (jet black), matching the seat surface
- additional wall support allows increased legroom as no floor support is necessary
- the slightly curved shape of the seat defines the sitting position and provides comfortable support
- seat can be folded up to save space
- seat depth when folded up 44 mm
- maintenance-free, permanently smooth-running joint
- load capacity up to 150 kg
- 450 mm wide, 480 mm deep and 230 mm high
- seat 450 mm wide and 450 mm deep
- for installation with corrosion-free and tested HEWI fixing material for different wall constructions (to be ordered separately)
- sealing tape and sealing discs for sealing the fixing points according to DIN 18534 are included in the scope of delivery
- meets the requirements of DIN 18040, ÖNORM B1600/1601 and SIA 500

Colours / Surfaces

	92 (anthracite grey)
	90 (jet black)
	98 (signal white)