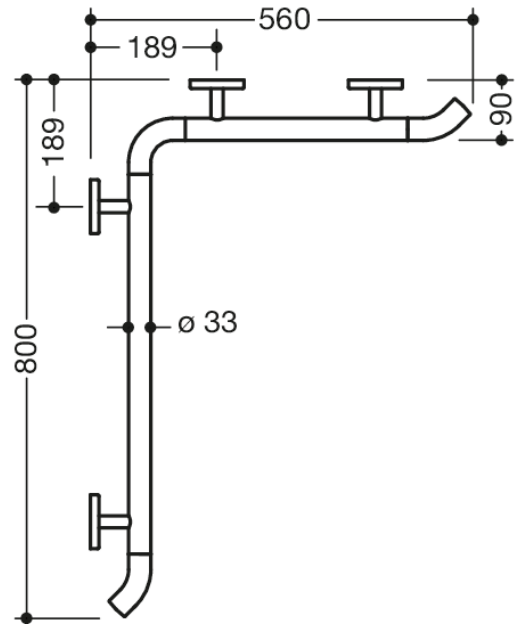




Similar picture



Dimensions in mm

### Properties

#### Shower grab rail

- horizontal rails joined to form a right angle
- with 45° end bends facing the wall
- made of high-quality chrome-look coated polyamide that is warm to touch
- with continuous, corrosion resistant steel core
- horizontal lengths 800 mm and 560 mm
- 90 mm deep, rail diameter 33 mm
- wall connection with discreet supports (diameter 18 mm) perpendicular to wall and flat roses
- rose diameter 80 mm, cap height 13 mm
- easy installation due to individually able fixing plates made of high-quality stainless steel for hanging the shower grab rail
- fixing with grub screw located on the underside of the rose
- including non-corrosive HEWI fixing material
- Please note when using with hanging seats: Compatibility check required.
- A detailed list of possible combinations of hand rails, L-shaped rails and shower handrails with matching hanging seats can be found in our online catalogue in the download area of the respective product.

### Awards

