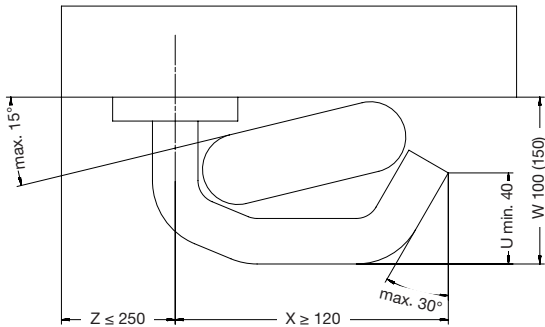


DIMENSIONAL REQUIREMENTS



Legend

- U** minimum size of the returning lever handle end
- W** maximum projection
- X** minimum length
- Z** distance from the end face of the door

DOOR FITTINGS AND LEVER HANDLE

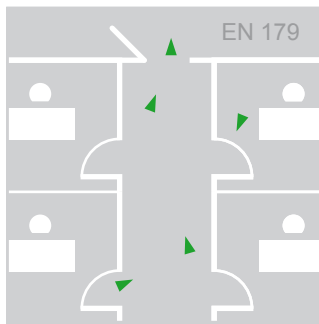
Emergency Exit Device | General Information

Not only the relevant door fittings or lever handles are required for functioning certified emergency exit devices, but also a lock with strike! Several criteria which the door fittings must fulfil are listed below. Depending on the type, the standard differentiates between single leaf and double doorset (two leaf) emergency exit devices, so that other components also belong to the emergency exit device. In the event of an emergency, the emergency exit device should enable the fastest possible evacuation of the room through the emergency exit door with only one hand movement. Regardless of whether the door is locked or only the latch closes the door.

The standard is applied to emergency exits at which panic situations are not to be expected. The people in the building are familiar with the exits and their fittings.

Emergency exit device according to this standard, Type A

HEWI, together with a large number of lock manufacturers, has subjected the R and H technology door fittings to testing and certification. These products have been certified by a recognised certification body and issued with a CE conformity marking.



SYSTEM 111 POLYAMIDE | MATT EDITION



Model 111...
pages 14, 20

Model 111.23...
pages 16, 22

Model 114.23GK...
pages 18, 23

Model 115.23R
page 19

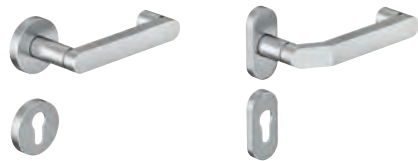
SYSTEM 162 POLYAMIDE | MATT EDITION



Model 165.21P...
pages 46, 50

Model 166.21P...
pages 47, 51

RANGE 270 STAINLESS STEEL



Model 272X...
page 94

Model 273X...
page 96

SYSTEM 111 STAINLESS STEEL



Model 111X...
page 32

Model 112X
page 34

Model 113X...
page 36

SYSTEM 162 STAINLESS STEEL



Model 165X...
page 62

Model 166X...
page 63

RANGE 170 STAINLESS STEEL



Model 173X
page 106

Model 174X
page 107

EXTRACT FROM EN 179

1	User category	3 = high frequency of use
2	Durability	6 = 100.000 test cycles 7 = 200.000 test cycles
3	Door weight	5 = ≤ 100 kg 6 = ≤ 200 kg 7 = > 200 kg
4	Use in smoke-proof and fire doors assemblies	0 = not approved for use on fire/smoke door fire doors assemblies A = suitable for use on smoke door assemblies on basis of requirements according to B.1 B = suitable for installation in smoke-proof and fire doors on basis of a testing according EN 1634-1
5	Safety of people	1 = highest class
6	Corrosion resistance	3 = 96h EN 1670 4 = 240h EN 1670
7	Anti-burglary protection	2 = 1000 N 3 = 2000 N 4 = 3000 N 5 = 5000 N
8	Fitting protrusion	1 ≤ 150 mm 2 ≤ 100 mm
9	Type of operation	A = lever handle operation B = push pad operation

HEWI certified emergency exit fittings are marked with the following symbol:



Emergency exit device according to this standard, Type B

HEWI lever handles made of stainless steel are classified in the category emergency exit device TYPE B according to EN 179. HEWI lever handles are tested and certified.

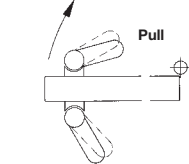
The following lever handles are approved for combinations with lock and strike series:



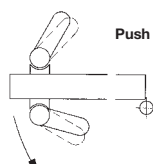
162XADG...6...

Not only the appropriate lever handles are required for a functioning, certified emergency exit device, but also a lock with strike and other components/accessories depending on the emergency exit door or device.

Opening direction of the door



DIN left



DIN right