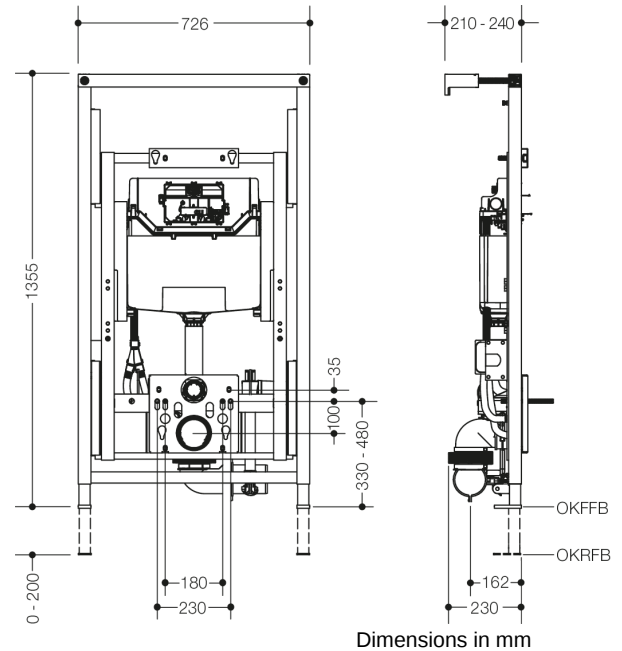




Similar picture



Properties

S 50 IV WC prewall installation

- Prewall element for electrically height-adjustable toilet for add-on modules with sensor-controlled flushing mechanism
- Side outlet on the right (incl. adapter DN90/DN110, rubber adapter for sawn-off collar DN90/DN110 and adapter PVC DN90/D:100)
- maximum distance from the riser: 4 m
- Controlled by radio remote control (included in scope of supply)
- Continuously adjustable by 150 mm (seat height approx. 425 - 575 mm)
- Adaptable initial height due to adjustable floor supports, e.g. to accessibility seat height of 460 - 480 mm
- Dimensions: W: 726 mm, H 1355 - 1505 mm, D 210 - 240 mm
- Floor support, vertically adjustable by 200 mm
- Made of steel, powder coated
- Maximum user weight: 150 kg
- Including OLI120 Plus dual-flush cistern, 6/3 litres (adaptable to 4/2 - 7/3 litres)
- Can be retrofitted with wall-mounted hinged-support rails (Please order mounting plate holder S50.02.00002 separately. This is used to prepare the mounting of the folding support handle and at the same time as a mounting template for drywall.)
- Can be retrofitted with WC flush release by radio
- Incl. floor and wall-fixing material for concrete and solid calcium silicate (lime-sand) masonry units
- Sound isolation of all pipes and the installation element from the building structure, approval to DIN 4109, ÖNorm B 8115 and SIA 181 in preparation
- Water connection 1/2"
- CE and UKCA marking according to EMC 2014/30/EU

Certificates

