

**Technical specification**

- diameter of hinge 21 mm
- corrosion resistant steel insert
- closed hinge roll
- height of hinge 100/160 mm
- **stainless steel pin** - rust-proof
- diameter 9 mm with positioning facility
- **maintenance-free polyamide low friction bearing**
- pre-assembled (depending on model)
- applicable left/right

**Frame connection**

- wood, steel and aluminium frames - retaining elements VX..., VZX...

**Applicability**

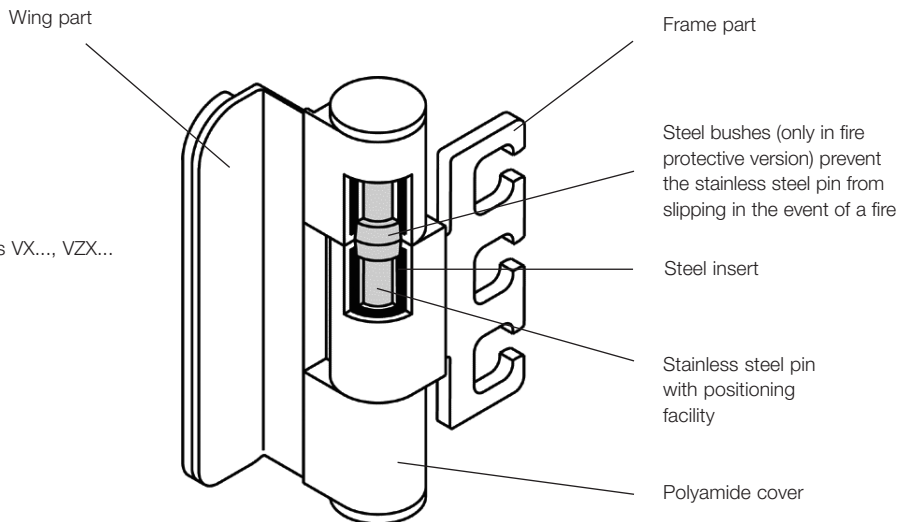
- wood, steel and aluminium frames
- doors made of wood
- fire protective doors made of wood

**Bearing capacity**

- height of hinge 100 mm - up to 100 kg
- height of hinge 160 mm - up to 180 kg

**Fixing**

- recommended wood counter sunk screws  $\varnothing$  6 x 50 mm



**Classification of numbers**

Lables	Sort
Letter code for HEWI hinges	B
Sort of door	8 - rebated 9 - flush
Hinge retaining in door	1 - spigot 5 - screw-on
Hinge retaining in frame	05 - screw-on 07 - retaining element - VX (3D)
Hight	160 - 160 mm 100 - 100 mm 75 - 75 mm 50 - 52 mm
Sort of hinge	FS - fire protective L - left R - right LK - screw-on hinge, left LF - spring (screw-on) hinge leftt RK - srew-on hinge right RF - spring (screw-on) hinge right