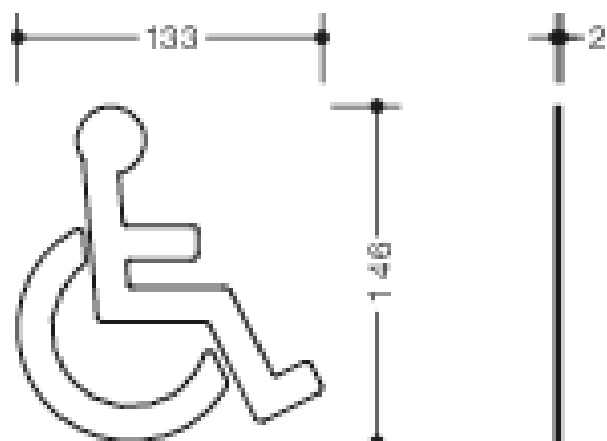




Similar picture



Dimensions in mm

Properties

Symbol, accessibility

- self-adhesive
- 145 mm high, 140 mm wide and 2 mm thick
- made of stainless steel (material number 1.4301)