

(US) Installation instructions



Reinigung und Pflege | Care and cleaning | Nettoyage et entretien
Reiniging en onderhoud | Manutenzione e pulizia | Cuidado y limpieza
Czyszczenie i pielęgnacja | Rengøring og pleje

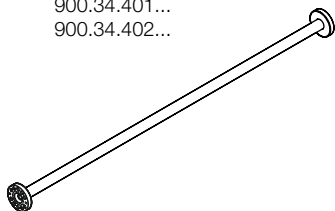
Contents

Product information	3
User information	3
Mounting	4
Shortening the shower curtain rails	7
Demounting	7

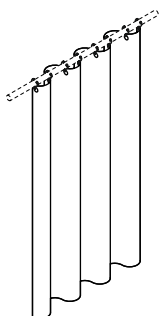
HEWI support

+1 (917) 734-4112

900.34.401...
900.34.402...



801.34...



921056 (5 St./pcs.)
921060 (5 St./pcs.)

Exclusion of liability

HEWI accepts no liability whatsoever for damage to persons or property that occurs or has occurred as a result of improper mounting or maintenance, particularly if the safety instructions and other points to note listed are not or have not been observed in full. HEWI accepts no liability whatsoever for damage occurring from incorrect cleaning.

Warning notices

 **CAUTION!**

Comply with the intended purpose, stated maximum load and fixing instructions.

Safety instructions

These instructions are intended for qualified skilled personnel and the user of the installed product. Following installation, the instructions must be made available to the user.

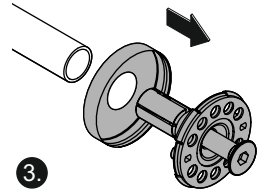
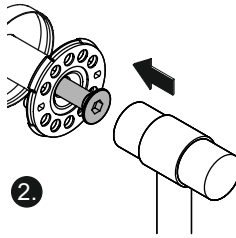
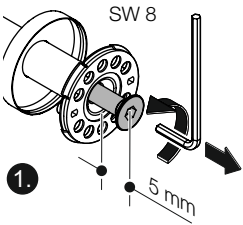
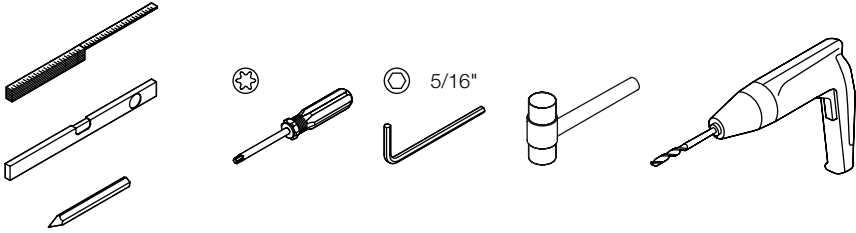
- Follow with the installation instructions and instructions for use.
- In case of questions, problems, uncertainties or if damage occurs, contact the HEWI support service.
- Ensure that the product is installed, maintained and repaired by qualified, skilled personnel only.
- Check the product for damage on acceptance. Report defects immediately.
- Install/use the product only:
 - in accordance with its intended purpose
 - in its original condition without modifications
 - in perfect condition
- Use original spare parts only.
- Use only HEWI fixing materials.
- Only use in closed rooms.
- Ensure that the wall is suitable for mounting the product.
- Ensure that the ceiling is suitable for mounting the product.

Disposal

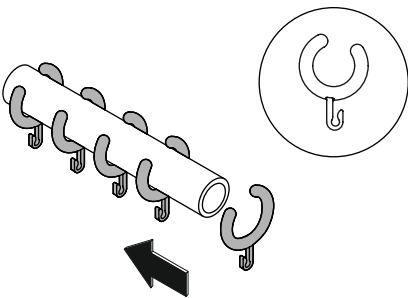
Disposal of the product and packaging is subject to the relevant national regulations.

Mounting

Tools required

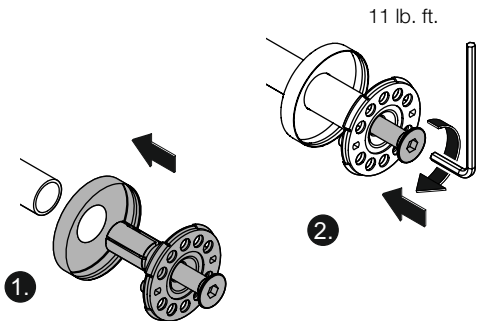


1



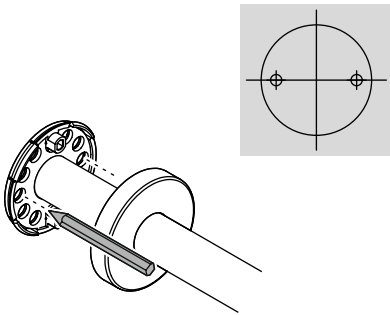
2

Hook opening facing inward!

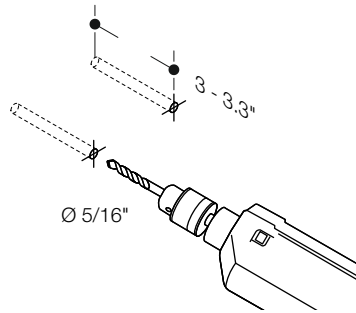


3

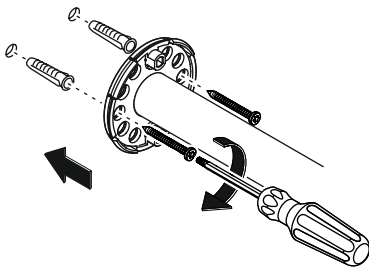
4



5

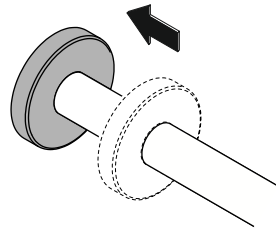


6

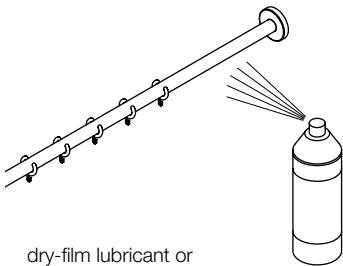


Use extended bit acceptances (approx. 4 in) when using electric screwdrivers or similar as otherwise the chuck may damage the surface!

7

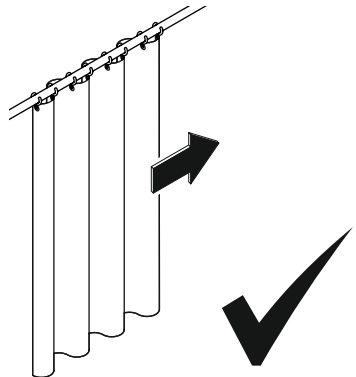


**only for stainless steel/
chrome-plated products**



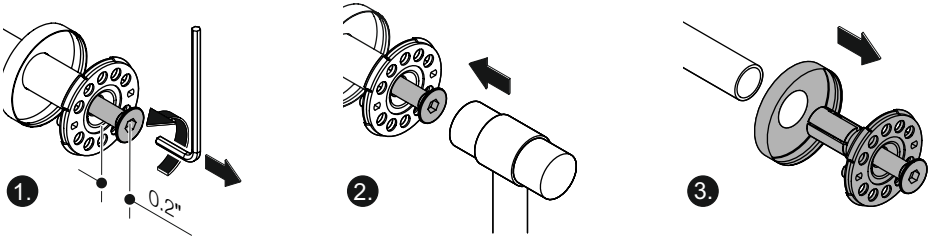
dry-film lubricant or stainless steel cleaner

9

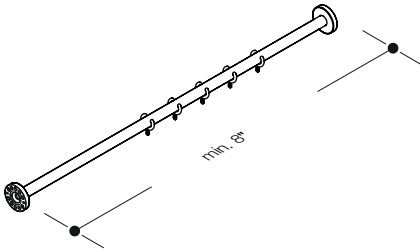


8

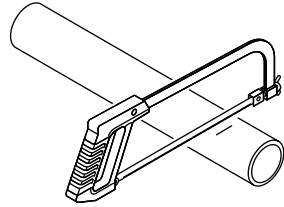
Shortening the shower curtain rails



1

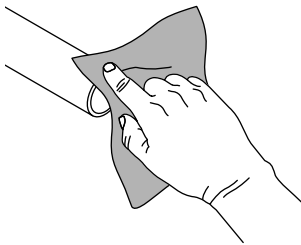


Allow 0.28" for rosette thickness.



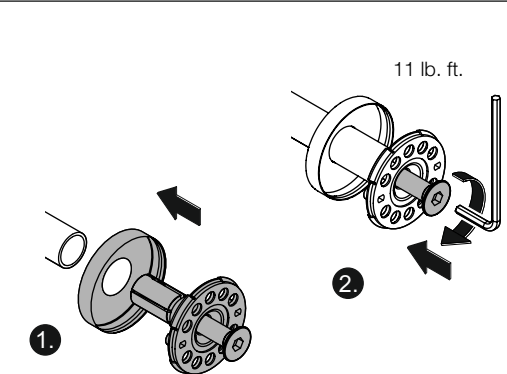
Cut at right angle.

2



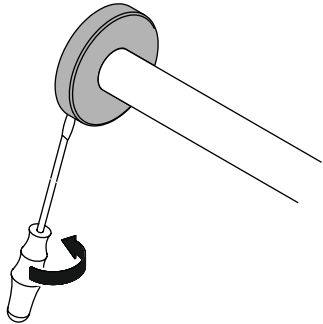
Remove the burr inside and outside.
Clean pipe inside diameter using
residue-free silicone and oil-free cleaning
products (e.g. methylated spirits).

3

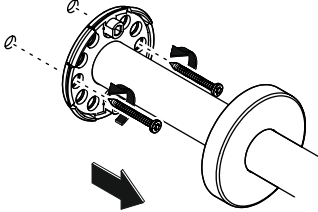


4

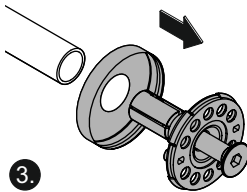
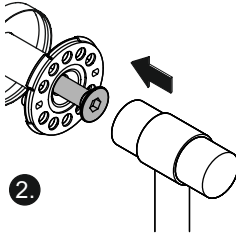
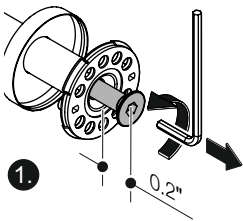
1



2



3



HEWI

www.hewi.com



GERMANY

HEWI Heinrich Wilke GmbH

Prof.-Bier-Straße 1-5

D-34442 Bad Arolsen

Phone: +49 5691 82-0

Fax: +49 5691 82-319

international@hewi.de



M9000.14

2024/11